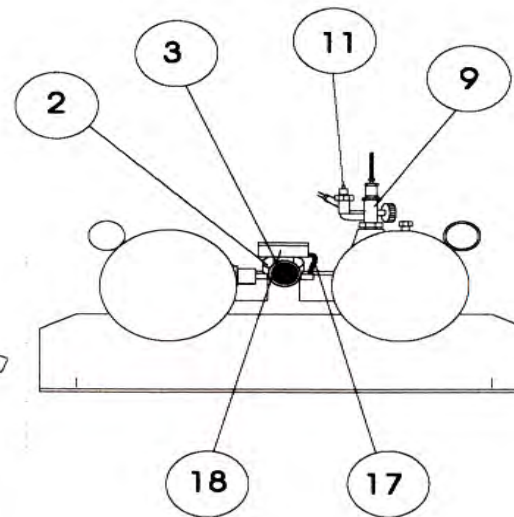
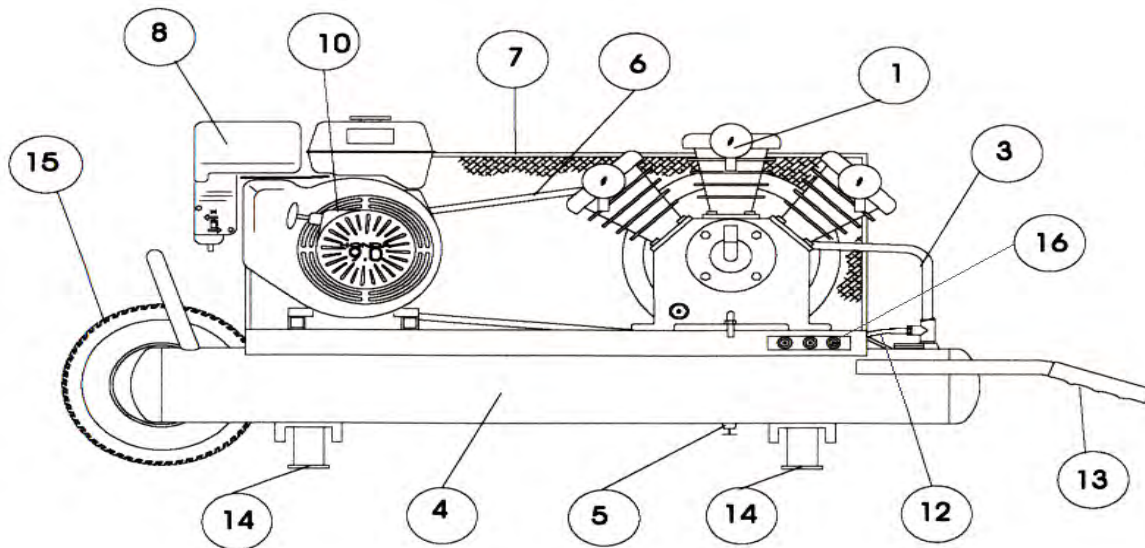


Eagle Air Compressor part breakdown sheet - TT90G

Item	Description	TT90GE
1	Compressor w/ Flywheel	PT03A
	Discharge Tube w/ Fittings	TU-23-AL
2	Pressure Gauge (Tank)	PG200-2.5SI1/4
3	Regulator	R202-1/4
4	Air Receiver	10TT41X5-B
5	Drain Cock (2)	DC1/4
6	V-Belt	A54
7	Belt Guard	TT-GUARD
8	Engine - Honda	GX270UT1QA2-R
9	Pilot Unloader w/ Check Valve	LMV100F
10	Pulley - Engine	MAL37
	Pulley Bushing - Engine	LX1
11	Safety Valve	PSV1/4-150
12	Engine Control w/ Cable	TCLP-48
13	Handle Grip	TT-GRIP (2)
14	Vibration Damper	TT-FOOT (4)
15	Pneumatic Wheel	TT-WHEEL
	Axle	WA1001
16	Coupler	CPL-TRI
17	Hose Assembly - Regulator	TT-HOSE
18	Pressure Gauge (Regulator)	PT0160
	Eagle Compressor Oil	EAOIL10



TT90G