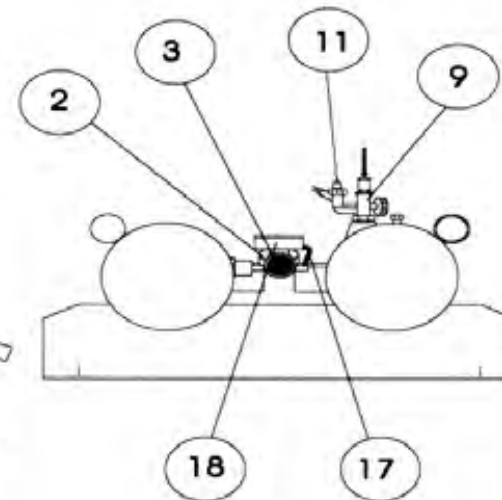
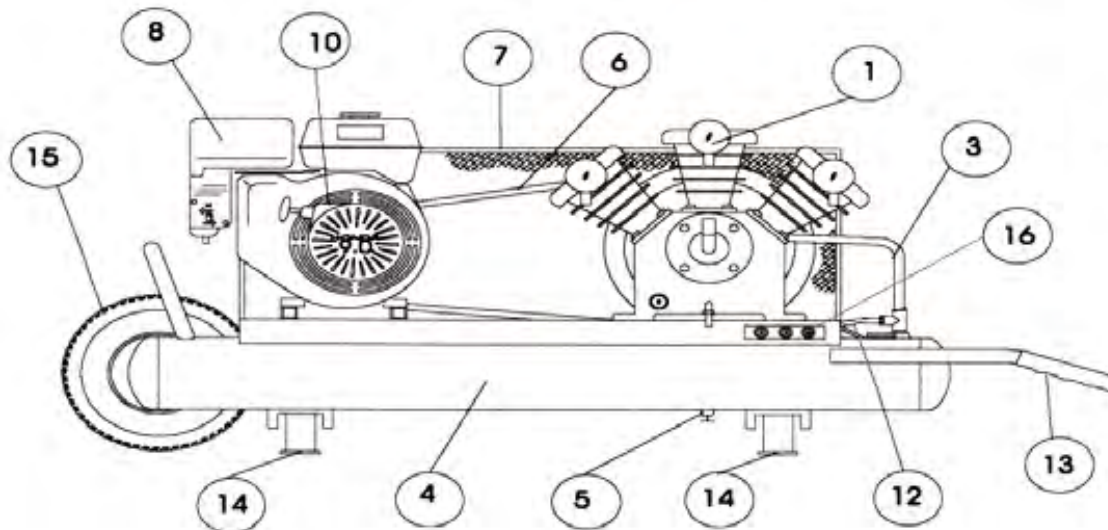


## Eagle Air Compressor part breakdown sheet - TT55G

Item	Description	TT55G
1	Compressor w/ Flywheel	PV02A
	Discharge Tube w/ Fittings	TU-23-AL
2	Pressure Gauge (Tank)	PG200-2.5SI1/4
3	Regulator	R202-1/4
4	Air Receiver	10TT41X5-B
5	Drain Cock (2)	DC1/4
6	V-Belt	A49
7	Belt Guard	TT-GUARD
8	Engine - Honda	GX160K1QX6
9	Pilot Unloader w/ Check Valve	LMV100F
10	Pulley - Engine	MAL37
	Pulley Bushing - Engine	LX3/4
11	Safety Valve	PSV1/4-150
12	Engine Control w/ Cable	TCP-48
13	Handle Grip	TT-GRIP (2)
14	Vibration Damper	TT-FOOT (4)
15	Pneumatic Wheel	TT-WHEEL
	Axle	WA1001
16	Coupler	CPL-DUO
17	Hose Assembly - Regulator	TT-HOSE
18	Pressure Gauge (Regulator)	PT0160
	Eagle Compressor Oil	EAOIL10



**TT55G**