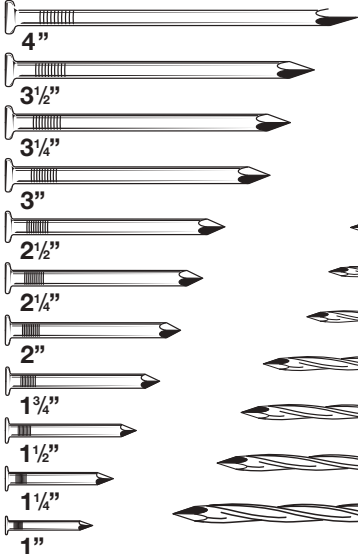
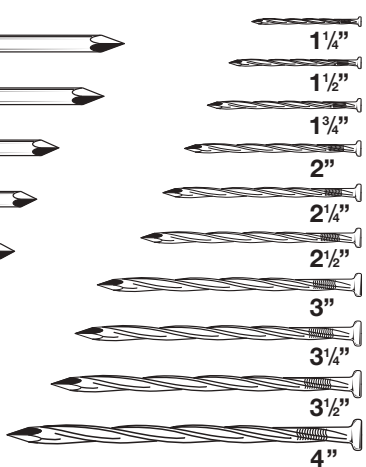


TREE ISLAND NAIL POSTER

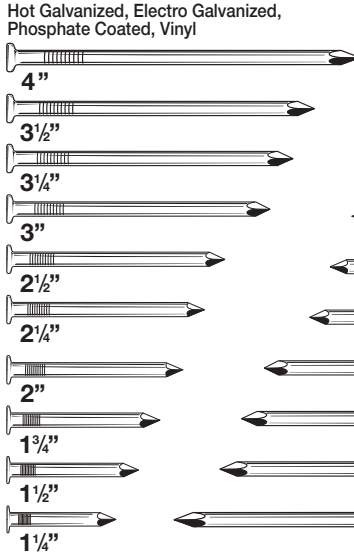
COMMON 1" - 6"



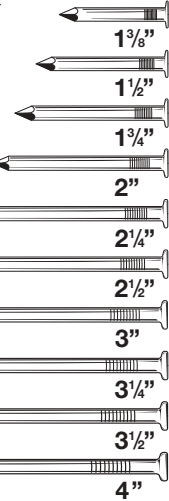
SPIRAL STANDARD 1 1/4" - 6"



BOX 1 1/4" - 5"



SINKER 1 1/8" - 5 3/4"

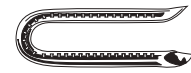


POULTRY NETTING STAPLES 3/4" - 7/8"



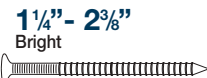
FENCE STAPLES* 1" - 2"

Hot Galvanized, Electro Galvanized



* Available in Barbed and Non Barbed

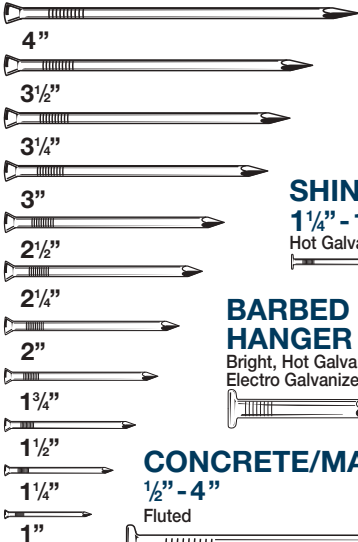
RINGED UNDERLAY FLOORING 1 1/4" - 2 3/8"



HARDWOOD FLOORING 1 1/4" - 1 3/4"



CASING 1" - 4"



SHINGLE 1 1/4" - 1 1/2"

Hot Galvanized, Blued

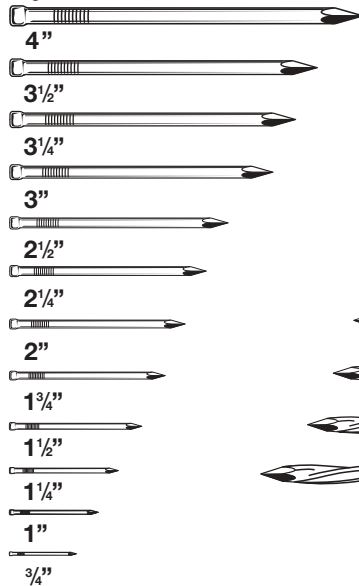
BARBED JOIST HANGER 1 1/4" - 2"

Bright, Hot Galvanized, Electro Galvanized

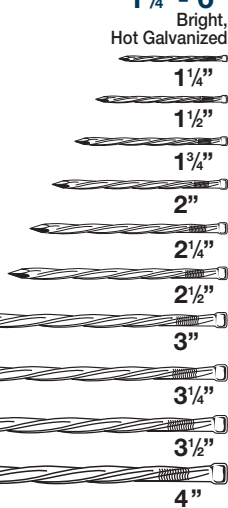
CONCRETE/MASONRY 1/2" - 4"



FINISH 3/4" - 5"



SPIRAL FINISH 1 1/4" - 6"



RINGED NEOPRENE ROOFING 1 1/2" - 2 1/2"

Hot Galvanized, Electro Galvanized

ROOFING 10 Ga 1" - 4"

Bright, Hot Galvanized, Electro Galvanized

ROOFING 11 Ga 3/4" - 3 1/4"

Hot Galvanized, Electro Galvanized

ROOFING 12 Ga 3/4" - 3"

Electro Galvanized

PLASTIC CAP ROOFING

Green Round Top, Ringed

LATH 1 1/8" - 1 1/4"

Blued

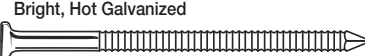
SPIRAL SIDING 2" - 3 1/2"



OVALHEAD SIDING 2" - 4"



RINGED POLE BARN 4" - 6"



GYPSON LATH 1 1/4"



SPIRAL OVALHEAD SIDING 2" - 3 1/2"



SPIRAL FRAMING 2" - 3 1/2"



DUPLEX 1 1/2" - 4"



RINGED WALLBOARD 1 1/4" - 2"

Electro Galvanized, Blued

SPIRAL PAC-DECK 8"



SPIRAL SPIKE 6" - 12"

Bright, Hot Galvanized

COMMON SPIKE 6" - 14"

