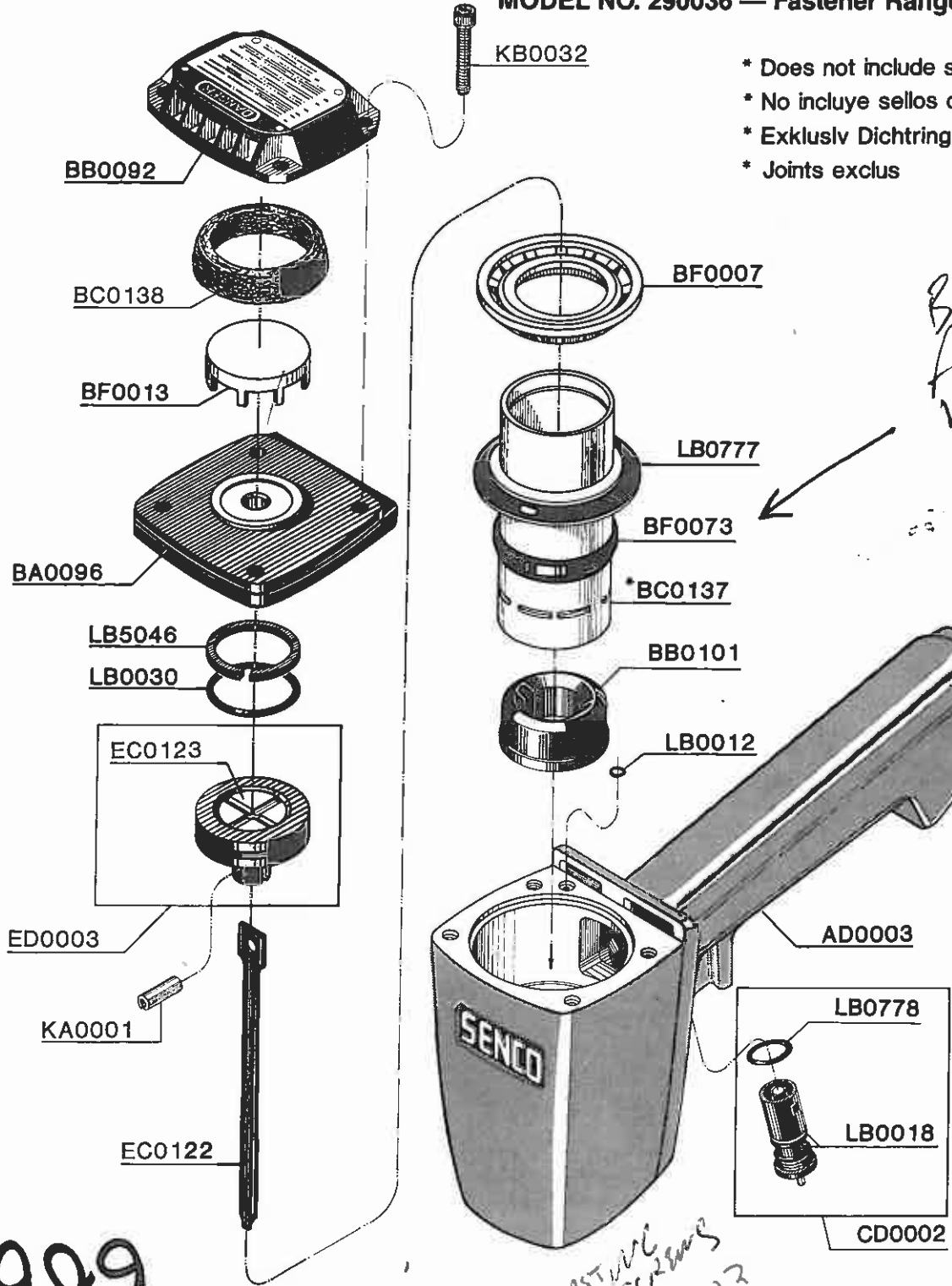


REPLACEMENT PARTS CHART
SFN1 NAILER

MODEL NO. 290004 — Fastener Range: DA11-DA19

MODEL NO. 290036 — Fastener Range: DA11-DA21

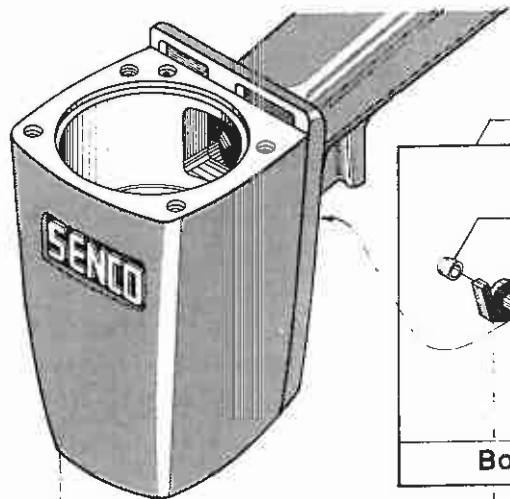


- * Does not include seals
- * No incluye sellos de gomas
- * Exklusiv Dichtringe
- * Joints exclus

*BF0073
FLAT
WASHER
W/
THIN
LIP
(PRE 1994)*

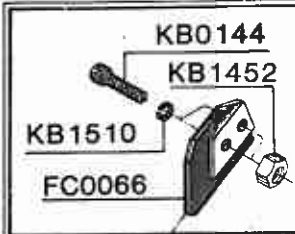
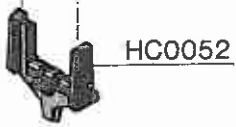
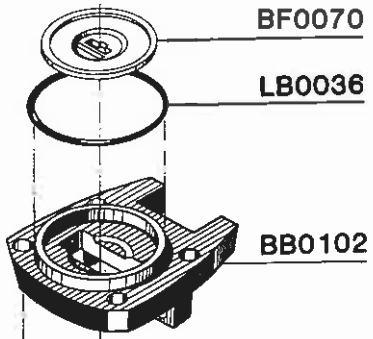
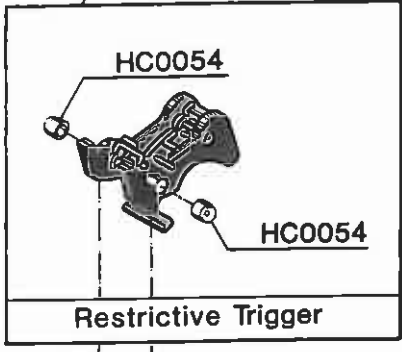
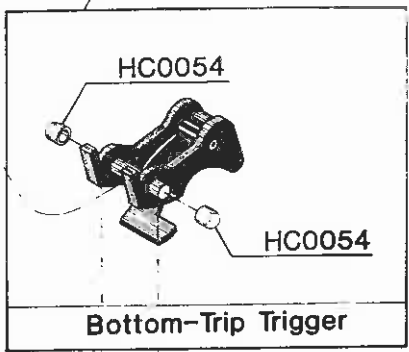
*CASTING
SCREENS
KB 3122*

1989

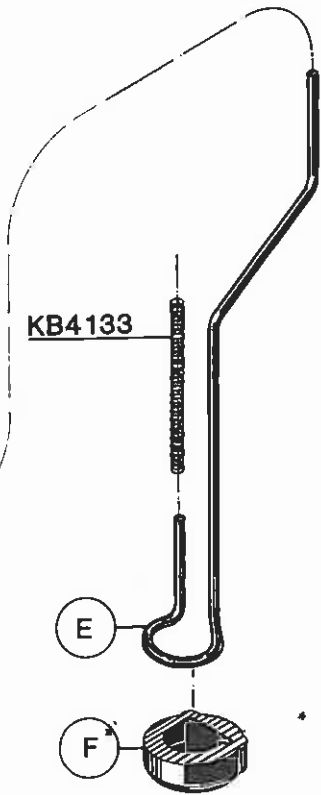
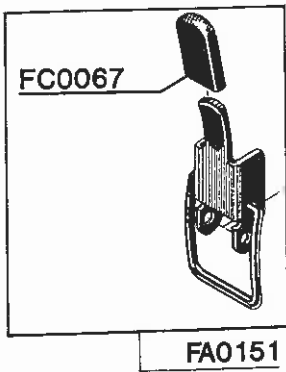
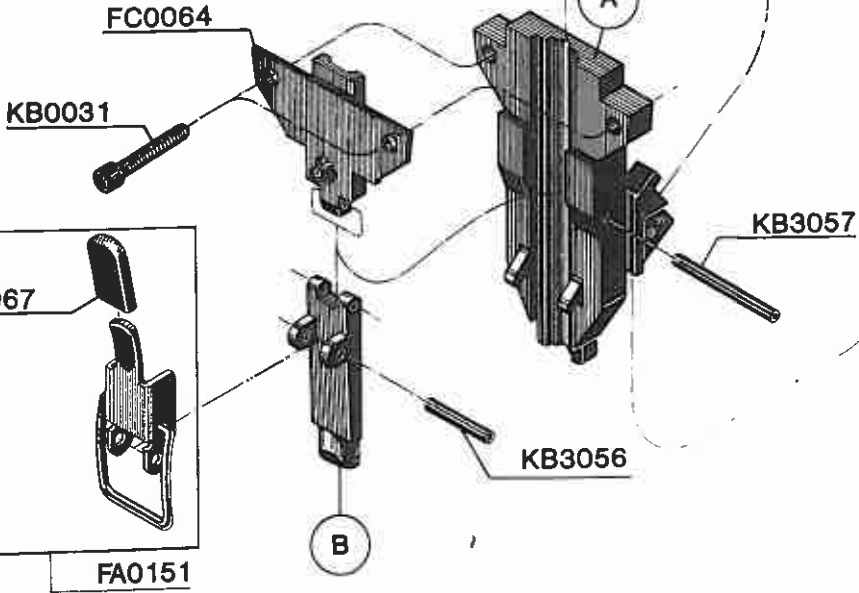
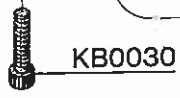


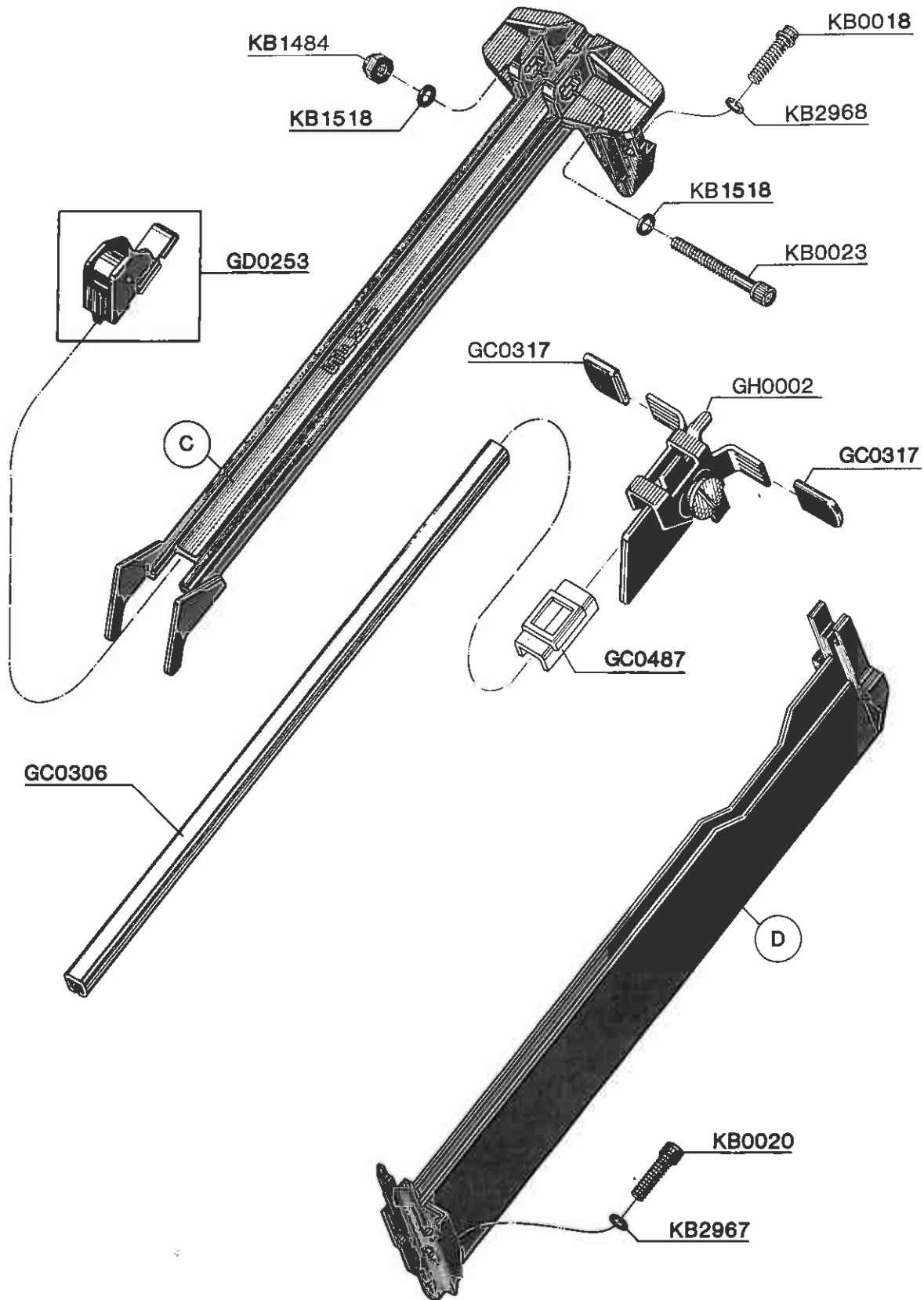
HD0015

HD0016



MAGAZINE BLOCK-OUTS
MAY BE REQUIRED WHEN
DRIVING SHORTER FASTENERS.
FOR INFORMATION, CONTACT
YOUR SENC0 REPRESENTATIVE.





MODEL	A	B	C	D	E	F
290004	FC0063	FC0065	GC0309	GB0197	HB0185	HF0002
290036	FC0079	FC0127	GC0319	GB0200	HC0099	HF0004