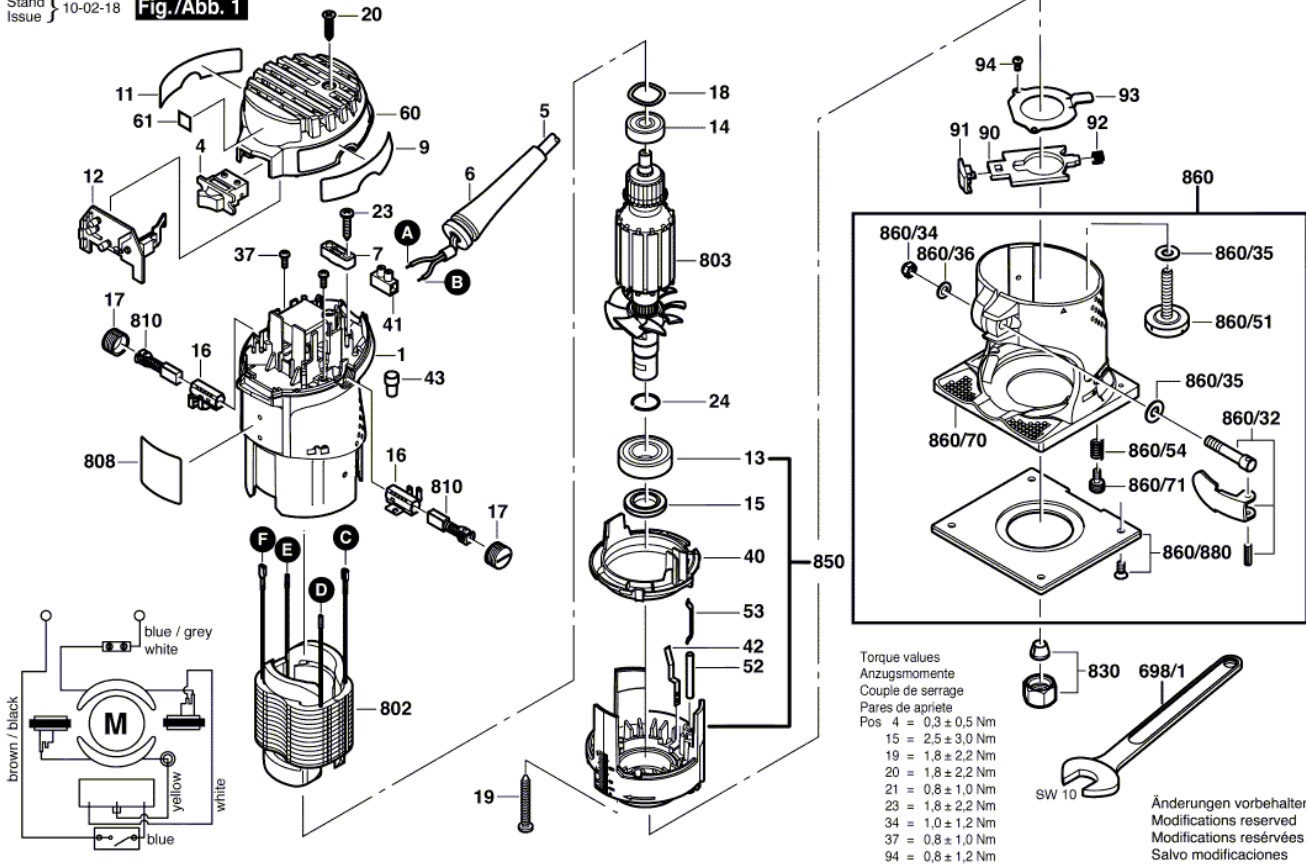




3 601 F0A 011

Stand Issue } 10-02-18

Fig./Abb. 1

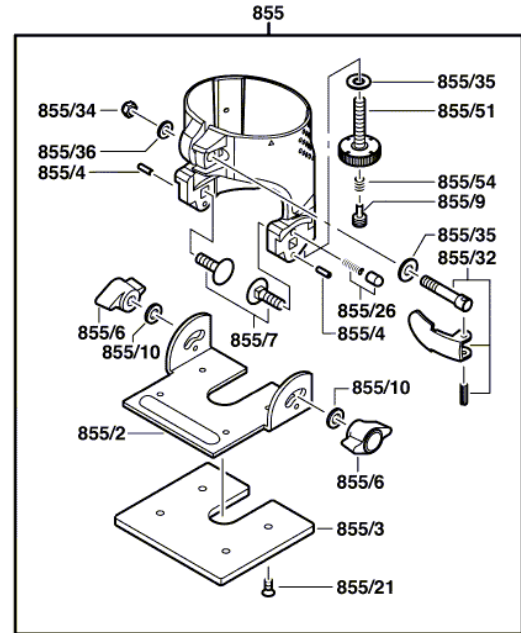
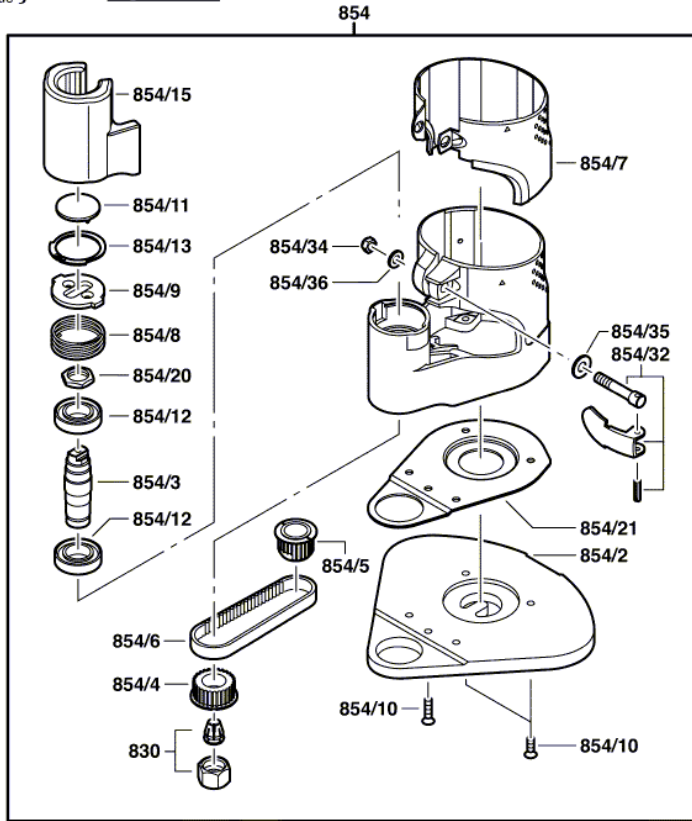




3 601 F0A 011

Stand } 10-02-18
Issue }

Fig./Abb. 2



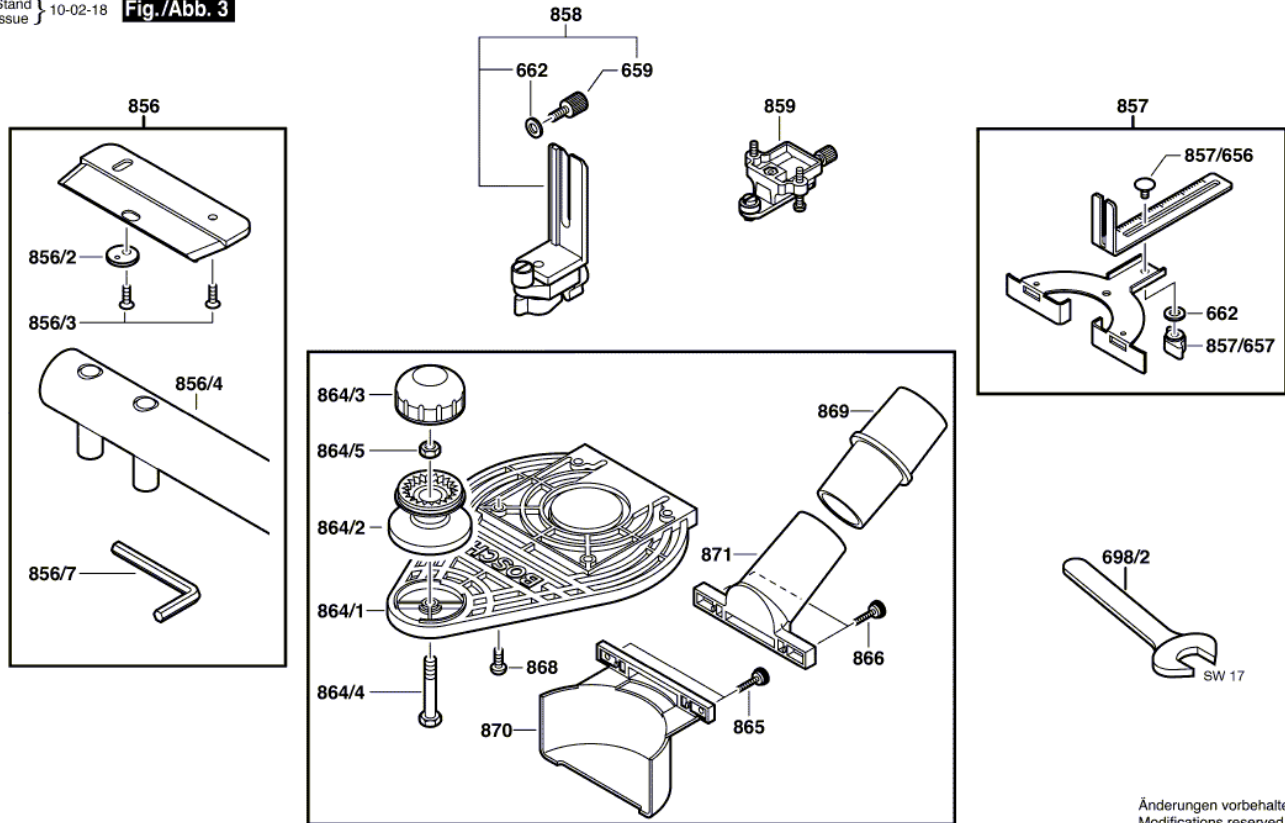
Änderungen vorbehalten
Modifications reserved
Modifications réservées
Salvo modificaciones



3 601 F0A 011

Stand Issue } 10-02-18

Fig./Abb. 3



Änderungen vorbehalten
Modifications reserved
Modifications réservées
Salvo modificaciones



| Pos. | Part Number | Description | Pos. | Part Number | Description |
|--------|---------------|--------------------------|---------|---------------|-----------------------|
| 1 | 2 610 035 221 | Housing | 854/32 | 2 609 199 041 | Clamping Lever |
| 4 | 2 609 120 274 | Switch | 854/34 | 2 609 110 289 | Hex Nut |
| 5 | 1 604 460 308 | Power supply cord | 854/35 | 2 609 110 282 | Conical Spring Washer |
| 6 | 2 600 703 018 | Grommet | 854/36 | 2 609 110 290 | Washer |
| 7 | 2 601 035 001 | Cable Clip | 855 | 2 610 008 115 | Base |
| 9 | 2 609 130 778 | Warning Plate | 855/2 | 2 609 110 372 | Base Plate |
| 11 | 2 609 130 777 | Warning Plate | 855/3 | 2 609 100 381 | Base |
| 12 | 1 607 233 189 | Regulator | 855/4 | 2 609 110 455 | Pin |
| 13 | 2 609 110 435 | groove ball bearing | 855/6 | 2 609 199 008 | Wing Nut |
| 14 | 2 609 110 436 | groove ball bearing | 855/7 | 2 910 281 201 | Round-Head Bolt |
| 15 | 2 609 110 253 | Self-locking nut | 855/9 | 2 609 110 483 | Pin |
| 16 | 2 609 110 217 | Brush Holder | 855/10 | 2 916 011 014 | Plain Washer |
| 17 | 2 609 100 203 | Brush-Cover | 855/21 | 2 609 110 347 | Screw |
| 18 | 2 609 110 294 | Spring Washer | 855/26 | 2 600 590 006 | Ratchet Cap |
| 19 | 2 910 611 093 | Tapping Screw | 855/32 | 2 609 199 041 | Clamping Lever |
| 20 | 2 609 110 490 | Tapping Screw | 855/34 | 2 609 110 289 | Hex Nut |
| 23 | 2 910 611 020 | Tapping Screw | 855/35 | 2 609 110 282 | Conical Spring Washer |
| 24 | 2 916 650 006 | Retaining clip | 855/36 | 2 609 110 290 | Washer |
| 37 | 2 603 490 017 | Torx Oval-Head Screw | 855/51 | 2 609 110 241 | Screw |
| 40 | 2 609 100 247 | Air-Deflector Ring | 855/54 | 2 609 110 306 | Compression Spring |
| 41 | 2 609 120 153 | connecting terminal | 856 | 2 610 008 116 | Base |
| 42 | 2 609 110 297 | Contact Strap | 856/2 | 2 609 110 457 | Adjusting Cam |
| 43 | 2 609 120 173 | End cap | 856/3 | 2 609 110 458 | Screw |
| 52 | 2 609 110 245 | Pressure Spindle | 856/4 | 2 609 110 459 | Adjusting Wrench |
| 53 | 2 609 110 246 | Spring Plate | 856/7 | 2 609 110 279 | Hexagon-socket Key |
| 60 | 2 609 100 420 | Housing Cover | 857 | 2 610 008 113 | Edge Guide |
| 61 | 2 609 130 914 | Manufacturer's nameplate | 857/656 | 2 609 110 364 | Screw |
| 90 | 2 609 110 741 | Plate | 857/657 | 2 609 199 008 | Wing Nut |
| 91 | 2 609 100 248 | Button | 858 | 2 610 008 117 | Edge Guide |
| 92 | 2 609 110 255 | Compression Spring | 859 | 2 609 199 063 | Edge Guide |
| 93 | 2 609 110 480 | Cover Plate | 860 | 2 610 008 111 | Base |
| 94 | 2 609 110 367 | Screw | 860/32 | 2 609 199 041 | Clamping Lever |
| 659 | 2 609 100 568 | Knurled Thumbscrew | 860/34 | 2 609 110 289 | Hex Nut |
| 662 | 2 916 011 014 | Plain Washer | 860/35 | 2 609 110 282 | Conical Spring Washer |
| 698/1 | 2 609 110 786 | Single-Head Eng. Wrench | 860/36 | 2 609 110 290 | Washer |
| 698/2 | 2 609 110 438 | Single-Head Eng. Wrench | 860/51 | 2 609 110 241 | Screw |
| 802 | 2 610 008 119 | Stator | 860/54 | 2 609 110 306 | Compression Spring |
| 803 | 2 610 008 120 | Armature | 860/70 | 2 609 110 307 | Base Plate |
| 808 | 2 610 007 798 | Nameplate | 860/71 | 2 609 110 283 | Bolt |
| 810 | 2 610 008 121 | Carbon-Brush Set | 860/880 | 2 610 008 124 | Base Plate |
| 830 | 2 610 008 122 | Collet | 864/1 | 2 609 100 383 | Base Plate |
| 850 | 2 610 008 123 | Bearing Flange | 864/2 | 2 609 100 423 | Handle |
| 854 | 2 610 008 114 | Base | 864/3 | 2 609 100 140 | Cap-Handle |
| 854/2 | 2 609 100 387 | Base Plate | 864/4 | 2 609 110 607 | Screw |
| 854/3 | 2 609 110 378 | Shaft | 864/5 | 2 609 110 548 | Nut |
| 854/4 | 2 609 110 379 | Toothed Belt Wheel | 865 | 2 609 199 114 | Knurled Thumbscrew |
| 854/5 | 2 609 110 380 | Toothed Belt Wheel | 866 | 2 609 199 100 | Screw |
| 854/6 | 2 609 170 038 | V-Belt | 868 | 2 609 110 553 | Screw |
| 854/7 | 2 609 100 386 | Cover | 869 | 2 610 907 746 | Adapter |
| 854/8 | 2 609 110 381 | Spring | 870 | 2 609 100 384 | Dust Chamber |
| 854/9 | 2 609 110 382 | Button | 871 | 2 609 100 385 | Chute |
| 854/10 | 2 910 861 126 | Countersunk-Head Screw | | | |
| 854/11 | 2 609 170 047 | Cover | | | |
| 854/12 | 2 609 110 606 | Ball Bearing | | | |
| 854/13 | 2 609 110 462 | Spring retaining ring | | | |
| 854/15 | 2 609 100 389 | Cover | | | |
| 854/20 | 2 609 110 505 | Nut | | | |
| 854/21 | 2 609 110 557 | Protection Plate | | | |