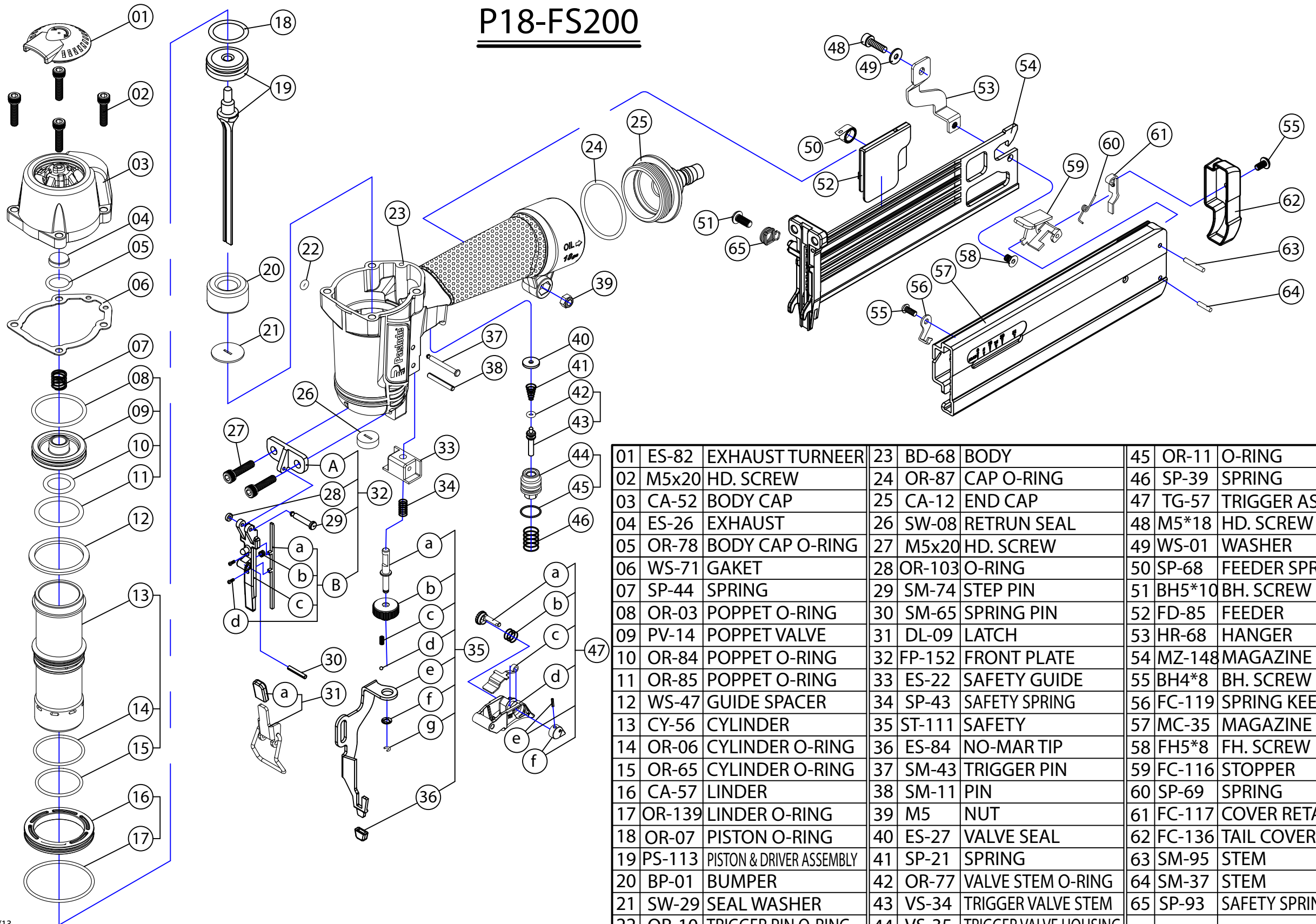


P18-FS200



01	ES-82	EXHAUST TURNER	23	BD-68	BODY	45	OR-11	O-RING
02	M5x20	HD. SCREW	24	OR-87	CAP O-RING	46	SP-39	SPRING
03	CA-52	BODY CAP	25	CA-12	END CAP	47	TG-57	TRIGGER ASSEMBLY
04	ES-26	EXHAUST	26	SW-08	RETRUN SEAL	48	M5*18	HD. SCREW
05	OR-78	BODY CAP O-RING	27	M5x20	HD. SCREW	49	WS-01	WASHER
06	WS-71	GAKET	28	OR-103	O-RING	50	SP-68	FEEDER SPRING
07	SP-44	SPRING	29	SM-74	STEP PIN	51	BH5*10	BH. SCREW
08	OR-03	POPPET O-RING	30	SM-65	SPRING PIN	52	FD-85	FEEDER
09	PV-14	POPPET VALVE	31	DL-09	LATCH	53	HR-68	HANGER
10	OR-84	POPPET O-RING	32	FP-152	FRONT PLATE	54	MZ-148	MAGAZINE
11	OR-85	POPPET O-RING	33	ES-22	SAFETY GUIDE	55	BH4*8	BH. SCREW
12	WS-47	GUIDE SPACER	34	SP-43	SAFETY SPRING	56	FC-119	SPRING KEEPER
13	CY-56	CYLINDER	35	ST-111	SAFETY	57	MC-35	MAGAZINE COVER
14	OR-06	CYLINDER O-RING	36	ES-84	NO-MAR TIP	58	FH5*8	FH. SCREW
15	OR-65	CYLINDER O-RING	37	SM-43	TRIGGER PIN	59	FC-116	STOPPER
16	CA-57	LINDER	38	SM-11	PIN	60	SP-69	SPRING
17	OR-139	LINDER O-RING	39	M5	NUT	61	FC-117	COVER RETAINER
18	OR-07	PISTON O-RING	40	ES-27	VALVE SEAL	62	FC-136	TAIL COVER
19	PS-113	PISTON & DRIVER ASSEMBLY	41	SP-21	SPRING	63	SM-95	STEM
20	BP-01	BUMPER	42	OR-77	VALVE STEM O-RING	64	SM-37	STEM
21	SW-29	SEAL WASHER	43	VS-34	TRIGGER VALVE STEM	65	SP-93	SAFETY SPRING
22	OR-10	TRIGGER PIN O-RING	44	VS-35	TRIGGER VALVE HOUSING			