

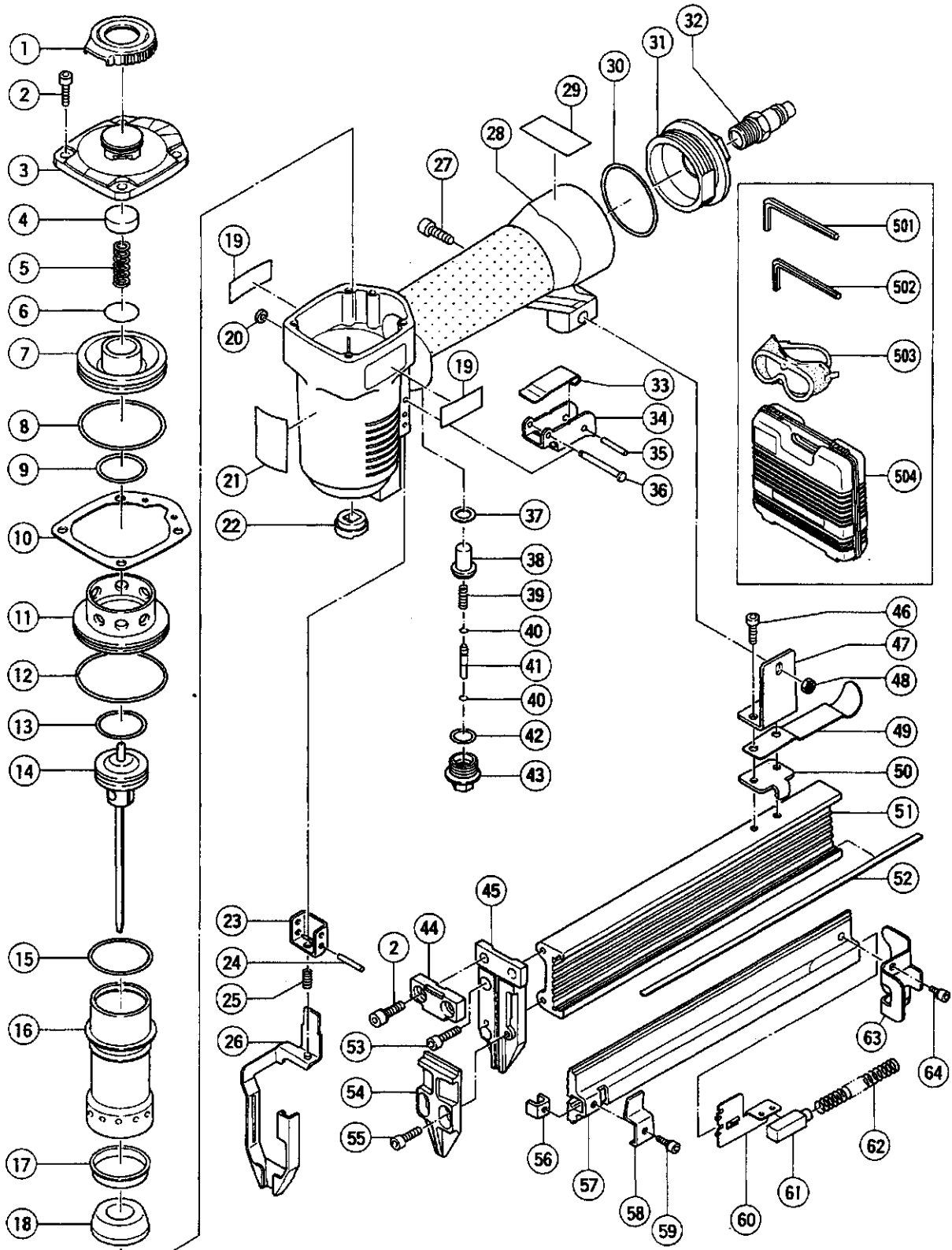
HITACHI

LIST NO. 1007

PNEUMATIC TOOL PARTS LIST

■ BRAD NAILER
Model NT 32AE

1998 • 3 • 10
(E1)



PARTS

NT 32AE

ITEM NO.	CODE NO.	DESCRIPTION	NO. USED	REMARKS
1	882-270	DEFLECTOR	1	
2	882-271	BOLT M5X20	6	
3	882-350	CAP	1	
4	882-273	SEAL	1	
5	882-274	SPRING	1	
6	882-275	O - RING (I.D13.8)	1	
7	882-276	HD.VALVE PISTON	1	
8	882-277	O - RING (I.D31.8)	1	
9	882-278	O - RING (I.D23)	1	
10	882-279	PACKING	1	
11	882-280	COLLAR	1	
12	882-281	O - RING (I.D43)	1	
13	882-282	O - RING (I.D21.7)	1	
14	882-351	DRIVER UNIT	1	
15	882-284	O - RING (I.D29.87)	1	
16	882-352	CYLINDER	1	
17	882-286	CYLINDER RING	1	
18	882-353	BUMPER	1	
19		LABEL	2	
20	882-296	RING	1	
21	880-450	WARNING LABEL	1	
22	882-288	JOINT GUIDE	1	
23	882-305	SAFETY GUIDE	1	
24	882-306	SPRING PIN D3X25	2	
25	882-307	SPRING	1	
26	882-354	SAFETY	1	
27	882-314	HEX.SOCKET HD.BOLT M4X16	1	
28	882-301	GUN BODY UNIT	1	
29		NAME PLATE	1	
30	882-302	O - RING (I.D37)	1	
31	882-303	END CAP	1	
32	882-304	AIR PLUG	1	
33	882-297	SAFETY	1	
34	882-298	TRIGGER	1	
35	882-299	SPRING PIN D2.5X16	1	
36	882-300	STEPPED PIN	1	
37	882-289	SEAL	1	
38	882-290	TRIGGER VALVE HEAD	1	
39	882-291	SPRING	1	
40	882-293	O - RING (I.D2.5)	2	
41	882-292	TRIGGER VALVE STEM	1	
42	882-294	O - RING (I.D13)	1	
43	882-295	TRIGGER VALVE GUIDE	1	
44	882-356	DRIVER GUIDE COVER(B)	1	
45	882-355	DRIVER GUIDE	1	
46	882-315	BOLT M4X12	2	
47	882-317	FIXED PLATE	1	
48	882-316	LOCK NUT M4	1	
49	882-318	STOPPER	1	
50	882-358	STOPPER	1	
51	882-359	MAGAZINE(A)	1	

*: ALTERNATIVE PARTS

PARTS

ITEM NO.	CODE NO.	DESCRIPTION	NO. USED	REMARKS	
52	882-321	FLAT BAR	1		
53	882-311	HEX.SOCKET HD.BOLT M4X14	2		
54	882-357	DRIVER GUIDE COVER(A)	1		
55	882-313	HEX.SOCKET HD.BOLT M4X10	2		
56	882-364	STOPPER	1		
57	882-363	MAGAZINE(B)	1		
58	882-365	STOPPER	1		
59	882-366	BOLT M4X10	1		
60	882-361	PUSHER	1		
61	882-360	SHAFT	1		
62	882-322	SPRING	1		
63	882-362	REAR PLATE	1		
64	882-328	BOLT M4X8	2		

STANDARD ACCESSORIES

ITEM NO.	CODE NO.	DESCRIPTION	NO. USED	REMARKS	
501	944-458	HEX. BAR WRENCH 4MM	1		
502	943-277	HEX. BAR WRENCH 3MM	1		
503	875-769	EYE PROTECTOR	1		
504	882-331	PLASTIC CASE	1		

*: ALTERNATIVE PARTS

