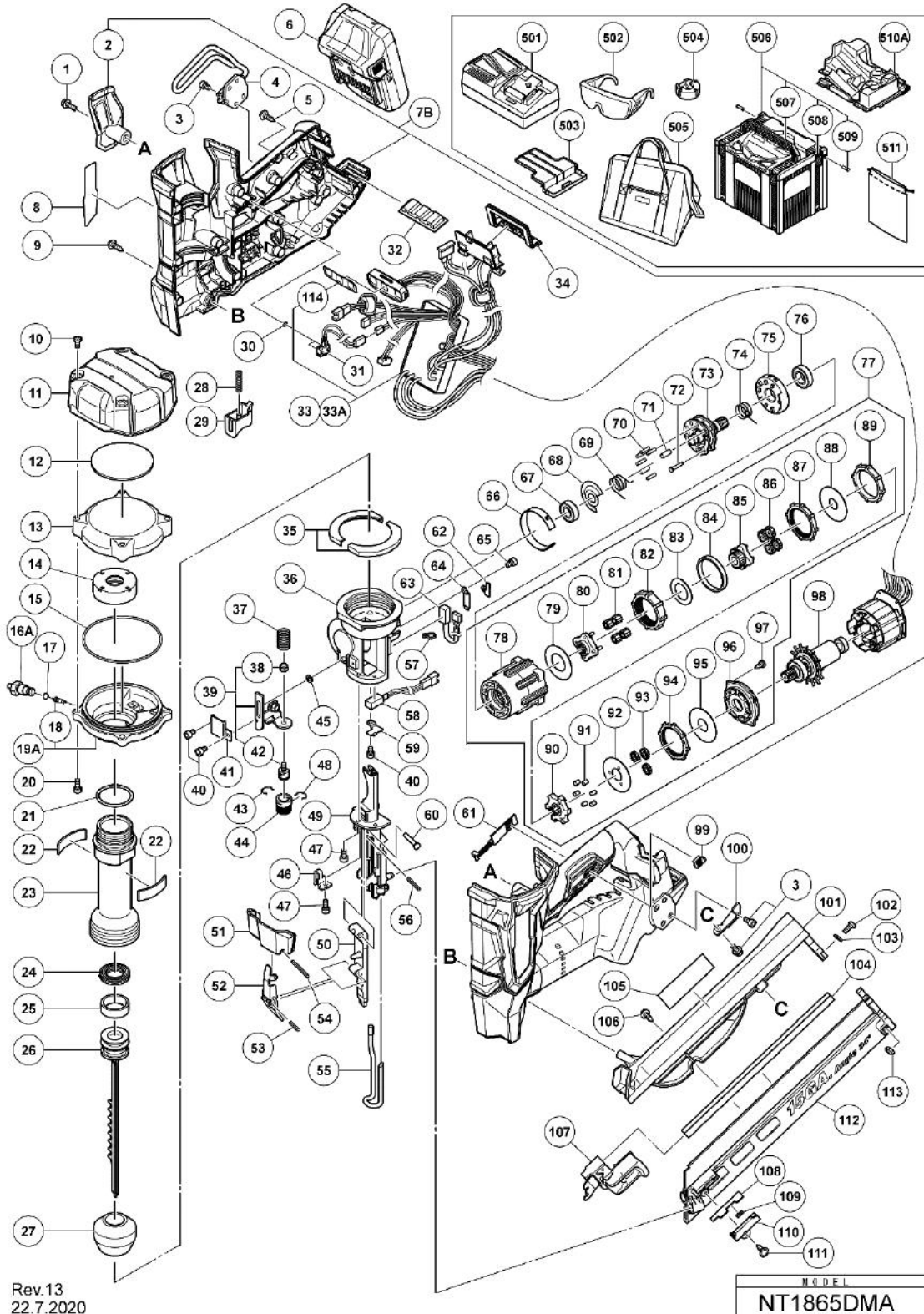


PNEUMATIC TOOL PARTS LIST

CORDLESS FINISH NAILER
MODEL NT 1865DMAS

2021 • 05 • 10
(E1)



Rev.13
22.7.2020

MODEL
NT1865DMA

PARTS

NT1865DMAS

ITEM NO.	CODE NO.	DESCRIPTION	NO. USED	REMARKS
1	880219	HEX. SOCKET HD. BOLT (W/FLANGE) M5X16	1	
2	371225	HOUSING (C)	1	
3	331109	LOW HEAD HEX. SOCKET BOLT M4X8	7	
4	371214	HOOK	1	
5	301653	TAPPING SCREW (W/FLANGE) D4X20 (BLACK)	13	
**6	339782	BATTERY BSL 1830C (USA.CAN)	1	INCLUD.503
**7B	371009M	HOUSING ASS'Y	1	INCLUD.2 FOR USA.CAN
8		LABEL	1	
9	994806	P-TITE SCREW D4X20	1	
10	371015	HEX. SOCKET BOLT M5	4	
11	371014	TOP COVER	1	
12	371012	RUBBER CUSHION (C)	1	
13	371035	CHAMBER COVER	1	
14	371040	SPECIAL NUT M36	1	
15	371037	O-RING (I.D 79.5)	1	
16A	376085	CHARGE CAP	1	
17	872822	O-RING (S-5)	1	
18	371038	VALVE CORE	1	
19A	376548	CHAMBER BASE ASS'Y	1	INCLUD.18
20	949658	HEX. SOCKET HD. BOLT M5X18 (10 PCS.)	4	
21	371042	O-RING (I.D 32.99)	1	
22	371011	RUBBER CUSHION (B)	2	
23	371041	CYLINDER	1	
24	371046	X-RING	1	
25	371047	SLIDE RING	1	
26	371045	PISTON	1	
27	371048	PISTON BUMPER	1	
28	332000	SPRING (T)	1	
29	371021	TRIGGER	1	
30	371020	O-RING (I.D 2.5)	2	
31	371019	SWITCH CABLE (A)	1	
32	332668	RUBBER CUSHION	1	
**33A	376525	WIRING ASS'Y	1	INCLUD.114 FOR USA.CAN
34	370728	TERMINAL RUBBER (A)	1	
35	371010	RUBBER CUSHION (A)	2	
36	371050	NOSE	1	
37	371067	SPRING	1	
38	877371	NYLON NUT M5	1	
39	371064	PUSHING LEVER ARM ASS'Y	1	INCLUD.38.42
40	325077	SEAL LOCK HEX. SOCKET HD. BOLT M3X6	3	
41	371058	PUSHING LEVER ARM HOLDER	1	
42	371065	PUSHING LEVER PIECE	1	
43	881765	RATCHET SPRING	1	
44	887358	ADJUSTER	1	
45	371062	WASHER D4	1	
46	371061	PUSHING LEVER ARM HOLDER (B)	1	
47	886311	SEAL LOCK HEX. SOCKET HD. BOLT M4X12	3	
48	886331	RATCHET SPRING	1	
49	371057	BLADE GUIDE	1	
50	371070	GUIDE PLATE	1	
51	371079	LOCK LEVER COVER	1	
52	371076	LOCK LEVER	1	
53	949496	ROLL PIN D3X16 (10 PCS.)	1	
54	371080	ROLL PIN D3X32	1	
55	371083	PUSHING LEVER	1	
56	371077	ROLL PIN D3X22	1	
57	6696839	WIRE BAND	1	
58	371022	SENSOR (B)	1	
59	371052	SENSOR HOLDER (A)	1	
60	371073	GUIDE PIN	1	
61	331790	LEVER (C)	1	
62	371053	SENSOR HOLDER (A)	1	
63	371023	SENSOR (C)	1	
64	371054	SENSOR HOLDER (B)	1	
65	325241	SEAL LOCK HEX. SOCKET HD. BOLT M3X8	1	
66	371051	SHIELD RING	1	
67	371033	BALL BEARING 6900VVCM	1	

