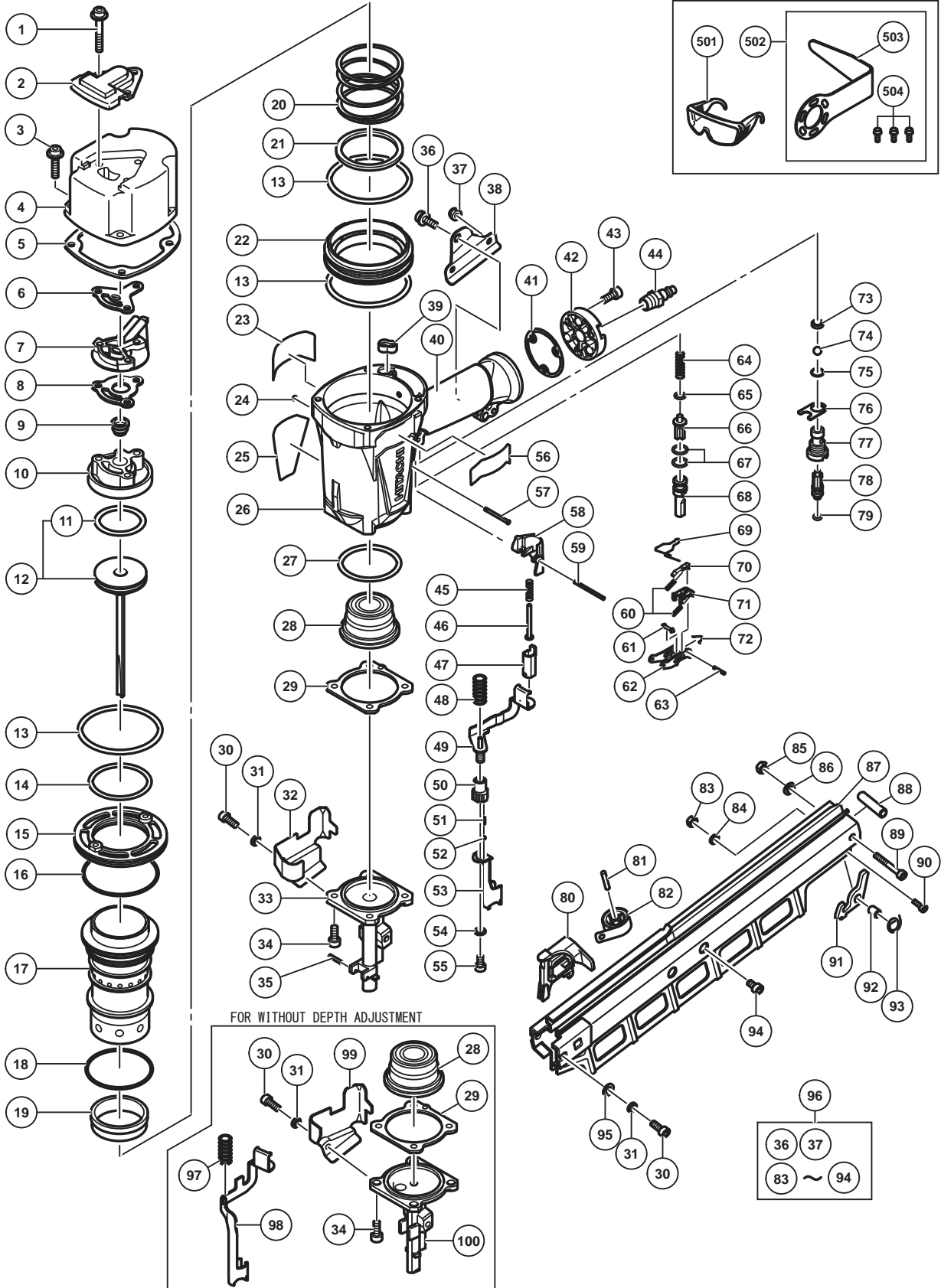


PNEUMATIC TOOL PARTS LIST

STRIP NAILER
Model NR 83A5

2016-11-29
(E1)



PARTS

NR 83A5

ITEM NO.	CODE NO.	DESCRIPTION	NO. USED	REMARKS
1	883509	HEX. SOCKET HD. BOLT (W/FLANGE) M6 X 45	3	
2	877330	TOP COVER	1	
3	883507	HEX. SOCKET HD. BOLT (W/SP.WASHER) M6 X 25	4	
4	877324	EXHAUST COVER	1	
5	877325	GASKET (B)	1	
6	877329	GASKET (F)	1	
7	877328	EXHAUST PIECE	1	
8	877854	GASKET (C)	1	
9	887774	EXHAUST VALVE	1	
10	877307	HEAD CAP AND GASKET SET	1	INCLUD.8
11	877368	O-RING (1AP-48)	1	
12	885915	PISTON ASS'Y	1	INCLUD.11
13	889112	O-RING	3	
14	877312	CYLINDER O-RING (I.D 63.1)	1	
15	877318	CYLINDER PLATE	1	
16	877313	CYLINDER O-RING (I.D 79.3)	1	
17	889086	CYLINDER	1	
18	877314	CYLINDER O-RING (I.D 69.3)	1	
19	886483	CYLINDER RING	1	
20	877321	CYLINDER SPRING	1	
21	877322	BASE WASHER	1	
22	889087	CYLINDER GUIDE	1	
23	889107	LABEL	1	
24	883405	O-RING (I.D 1.8)	1	
25	889106	WARNING LABEL	1	
26	889085	BODY ASS'Y	1	INCLUD.40
27	877315	CYLINDER O-RING (I.D 63.9)	1	
28	883511	PISTON BUMPER (B)	1	
29	877334	GASKET (A)	1	
30	888245	NYLOCK HEX. SOCKET HD. BOLT M6 X 18	2	
31	949455	SPRING WASHER M6 (10 PCS.)	2	
* 32	884061	GUARD (A)	1	FOR WITH DEPTH ADJUSTMENT TYPE
* 33	889108	NOSE (P1)	1	FOR WITH DEPTH ADJUSTMENT TYPE
34	883492	NYLOCK HEX. SOCKET HD. BOLT M8 X 22	4	
* 35	949518	ROLL PIN D3 X 18 (10 PCS.)	1	FOR WITH DEPTH ADJUSTMENT TYPE
36	883505	NYLOCK BOLT (W/FLANGE) M8 X 16	1	
37	888796	NYLON NUT M6	2	
38	884066	HANDLE ARM (B)	1	
39	877327	GASKET (G)	1	
40		GRIP RUBBER	1	SUPPLIED WITH ITEM NO.601,602
41	889080	GASKET (H)	1	
42	889079	CAP (B)	1	
43	949658	HEX. SOCKET HD. BOLT M5 X 18 (10 PCS.)	3	
44	887863	AIR PLUG NPT 3/8	1	
45	889103	PLUNGER (B) SPRING	1	
46	889102	PLUNGER (B)	1	
47	889099	PUSHING LEVER (C)	1	
* 48	884067	SPRING	1	FOR WITH DEPTH ADJUSTMENT TYPE
* 49	889101	PUSHING LEVER (B)	1	FOR WITH DEPTH ADJUSTMENT TYPE
* 50	326799	ADJUSTER	1	FOR WITH DEPTH ADJUSTMENT TYPE

PARTS

NR 83A5

ITEM NO.	CODE NO.	DESCRIPTION	NO. USED	REMARKS
* 51	880175	ADJUSTER SPRING	2	FOR WITH DEPTH ADJUSTMENT TYPE
* 52	959148	STEEL BALL D3.175 (10 PCS.)	2	FOR WITH DEPTH ADJUSTMENT TYPE
* 53	888256	PUSHING LEVER (A)	1	FOR WITH DEPTH ADJUSTMENT TYPE
* 54	880081	WASHER	1	FOR WITH DEPTH ADJUSTMENT TYPE
* 55	888792	HEX. SOCKET HD. BOLT M6 X 12	1	FOR WITH DEPTH ADJUSTMENT TYPE
56		NAME PLATE	1	
57	889096	TRIGGER PIN	1	
58	889100	VALVE GUARD	1	
59	887852	ROLL PIN D3 X 45	1	
60	889094	TRIGGER ARM SPRING	2	
61	889093	CHANGE ROD	1	
62	889091	TRIGGER	1	
63	887856	ROLL PIN D2.5	1	
64	886725	PLUNGER SPRING	1	
65	874436	O-RING (P-4)	1	
66	884113	PLUNGER (A)	1	
67	884112	O-RING (I.D 10.7)	2	
68	889088	VALVE BUSHING (A)	1	
69	889089	TRIGGER SPRING	1	
70	889092	TRIGGER ARM	1	
71	889095	CHANGE STOPPER	1	
72	889081	LOCK PIN	1	
73	888151	VALVE PACKING	1	
74	875645	URETHANE BALL (C) D7.14	1	
75	875638	O-RING (S-12)	1	
76	889110	VALVE PLATE	1	
77	889225	TRIGGER VALVE BUSHING	1	
78	889098	TRIGGER PLUNGER	1	
79	887840	O-RING	1	
80	877393Z	NAIL FEEDER	1	
81	878418	NEEDLE ROLLER	1	
82	878422	RIBBON SPRING	1	
83	876465	NYLON NUT M4	1	
84	949453	SPRING WASHER M4 (10 PCS.)	1	
85	877371	NYLON NUT M5	1	
86	889083	SPRING WASHER D5	1	
87	884065	MAGAZINE BASE	1	
88	876550	SLEEVE	1	
89	949824	HEX. SOCKET HD. BOLT M5 X 45 (10 PCS.)	1	
90	949650	HEX. SOCKET HD. BOLT M4 X 15 (10 PCS.)	1	
91	877396Z	STOP LEVER	1	
92	877398	COLLAR	1	
93	877397	STOPPER SPRING	1	
94	888792	HEX. SOCKET HD. BOLT M6 X 12	2	
95	877402	WASHER	1	
96	885827	MAGAZINE ASS'Y	1	INCLUD.36,37,83-94
* 97	884077	SPRING (A)	1	FOR WITHOUT DEPTH ADJUSTMENT TYPE
* 98	889125	PUSHING LEVER	1	FOR WITHOUT DEPTH ADJUSTMENT TYPE
* 99	884075	GUARD	1	FOR WITHOUT DEPTH ADJUSTMENT TYPE
* 100	889109	NOSE (P2)	1	FOR WITHOUT DEPTH ADJUSTMENT TYPE

STANDARD ACCESSORIES

NR 83A5

ITEM NO.	CODE NO.	DESCRIPTION	NO. USED	REMARKS
501	875769	SAFETY GLASSES	1	
502	889661M	HOOK ASS'Y	1	INCLUD.503,504
503		HOOK	1	
504	306017	HEX. SOCKET HD. BOLT (W/FLANGE) M5 X 14	3	

OPTIONAL ACCESSORIES

ITEM NO.	CODE NO.	DESCRIPTION	NO. USED	REMARKS
601	881768	GRIP TAPE (A)	1	
602	888213	TAPE (2 PCS.)	2	