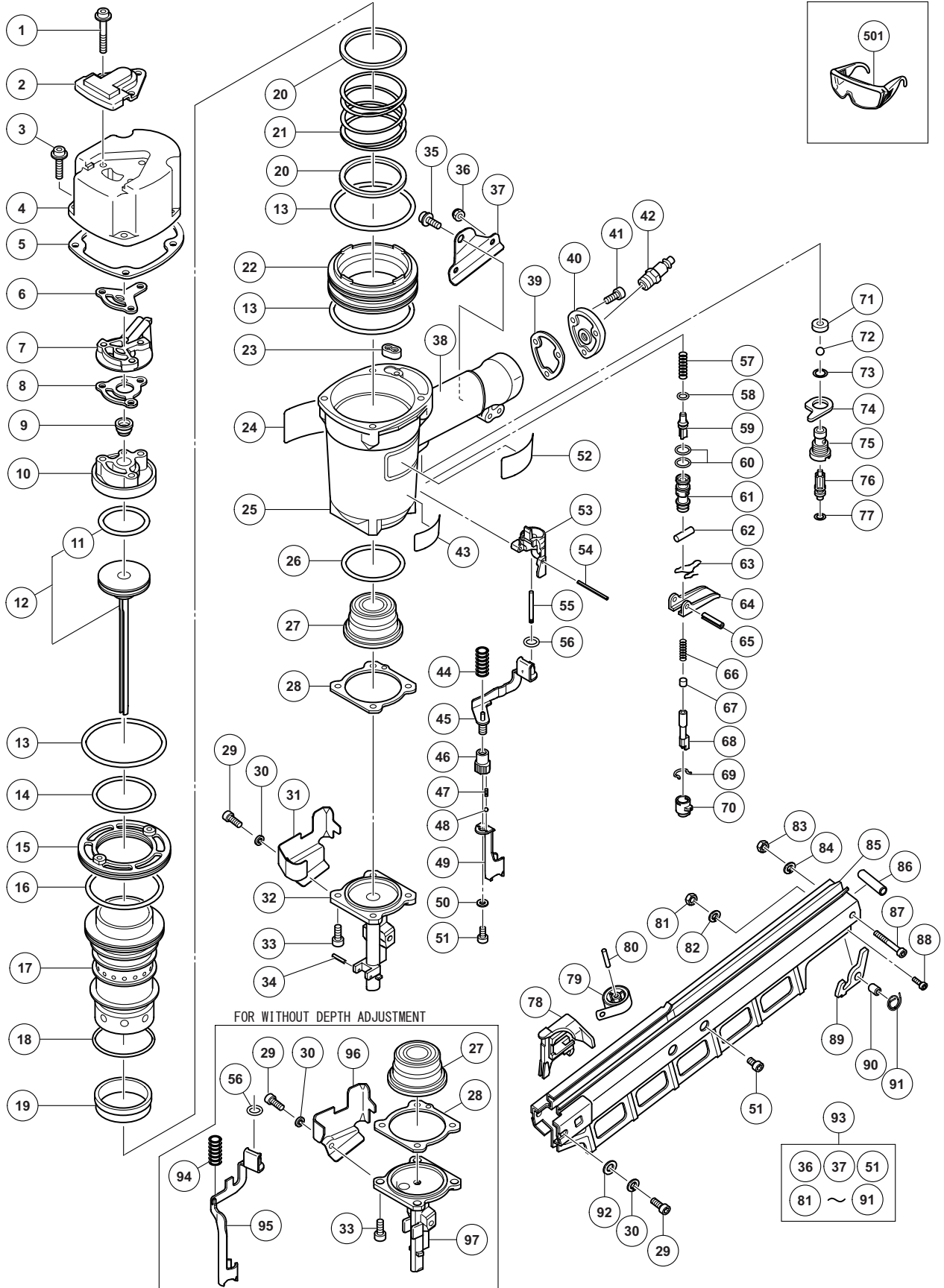


PNEUMATIC TOOL PARTS LIST

STRIP NAILER Model NR 83A3

2013·5·13
(E1)



PARTS

NR 83A3

ITEM NO.	CODE NO.	DESCRIPTION	NO. USED	REMARKS	
1	883-509	HEX. SOCKET HD. BOLT (W/FLANGE) M6 X 45	3		
2	877-330	TOP COVER	1		
3	883-507	HEX. SOCKET HD. BOLT (W/SP. WASHER) M6 X 25	4		
4	877-324	EXHAUST COVER	1		
5	877-325	GASKET (B)	1		
6	877-329	GASKET (F)	1		
7	877-328	EXHAUST PIECE	1		
8	877-854	GASKET (C)	1		
9	887-774	EXHAUST VALVE	1		
10	888-138	HEAD CAP AND GASKET SET	1	INCLUD. 8	
11	877-368	O-RING (1AP-48)	1		
12	885-915	PISTON ASS'Y	1	INCLUD. 11	
13	877-316	O-RING (S-90)	3		
14	877-312	CYLINDER O-RING (I.D 63.1)	1		
15	877-318	CYLINDER PLATE	1		
16	877-314	CYLINDER O-RING (I.D 69.3)	1		
17	888-133	CYLINDER	1		
18	878-376	O-RING (I.D 59.6/W2.4)	1		
19	877-317	CYLINDER RING	1		
20	877-322	BASE WASHER	2		
21	877-321	CYLINDER SPRING	1		
22	888-132	CYLINDER GUIDE (C)	1		
23	877-327	GASKET (G)	1		
24	888-143	WARNING LABEL	1		
25	888-137	BODY ASS'Y	1	INCLUD. 38	
26	877-315	CYLINDER O-RING (I.D 63.9)	1		
27	883-511	PISTON BUMPER (B)	1		
28	877-334	GASKET (A)	1		
29	878-426	HIGH TENSION BOLT M6 X 18	2		
30	949-455	SPRING WASHER M6 (10 PCS.)	2		
*	31	884-061	GUARD (A)	1	FOR WITH DEPTH ADJUSTMENT TYPE
*	32	887-770	NOSE	1	FOR WITH DEPTH ADJUSTMENT TYPE
	33	883-492	NYLOCK HEX. SOCKET HD. BOLT M8 X 22	4	
*	34	949-518	ROLL PIN D3 X 18 (10 PCS.)	1	FOR WITH DEPTH ADJUSTMENT TYPE
	35	883-505	NYLOCK BOLT (W/FLANGE) M8 X 16	1	
	36	963-837	NYLON NUT M6	2	
	37	884-066	HANDLE ARM (B)	1	
	38		GRIP RUBBER	1	(SUPPLIED WITH ITEM NO. 601, 602)
	39	877-331	GASKET (D)	1	
	40	878-311	CAP	1	
	41	949-658	HEX. SOCKET HD. BOLT M5 X 18 (10 PCS.)	3	
	42	887-863	AIR PLUG NPT 3/8	1	
	43		LABEL	1	
*	44	887-841	SPRING	1	FOR WITH DEPTH ADJUSTMENT TYPE
*	45	887-902	PUSHING LEVER (B)	1	FOR WITH DEPTH ADJUSTMENT TYPE
*	46	326-799	ADJUSTER	1	FOR WITH DEPTH ADJUSTMENT TYPE
*	47	880-175	ADJUSTER SPRING	2	FOR WITH DEPTH ADJUSTMENT TYPE
*	48	959-148	STEEL BALL D3.175 (10 PCS.)	2	FOR WITH DEPTH ADJUSTMENT TYPE
*	49	884-062	PUSHING LEVER (A)	1	FOR WITH DEPTH ADJUSTMENT TYPE
*	50	880-081	WASHER	1	FOR WITH DEPTH ADJUSTMENT TYPE

PARTS

NR 83A3

ITEM NO.	CODE NO.	DESCRIPTION	NO. USED	REMARKS	
*	51	949-657	HEX. SOCKET HD. BOLT M6 X 12 (10 PCS.)	3	FOR WITH DEPTH ADJUSTMENT TYPE
*	51	949-657	HEX. SOCKET HD. BOLT M6 X 12 (10 PCS.)	2	FOR WITHOUT DEPTH ADJUSTMENT TYPE
	52		NAME PLATE	1	
	53	887-862	VALVE GUARD	1	
	54	887-852	ROLL PIN D3 X 45	1	
	55	887-732	ROD (C)	1	
	56	881-715	O-RING (S3)	1	
	57	887-724	PLUNGER SPRING	1	
	58	874-436	O-RING (P-4)	1	
	59	887-725	PLUNGER	1	
	60	884-112	O-RING (I.D 10.7)	2	
	61	888-135	VALVE BUSHING	1	
	62	887-768	PIN	1	
	63	887-727	TRIGGER SPRING	1	
	64	876-203	TRIGGER	1	
	65	887-865	ROLL PIN D3 X 30	1	
	66	887-728	ROD SPRING	1	
	67	887-729	ROD (B)	1	
	68	887-904	ROD (A)	1	
	69	886-331	RATCHET SPRING	1	
	70	888-136	CHANGE KNOB	1	
	71	878-734	VALVE PACKING	1	
	72	875-645	URETHANE BALL (C) D7.14	1	
	73	875-638	O-RING (S-12)	1	
	74	887-771	VALVE PLATE	1	
	75	888-134	TRIGGER VALVE BUSHING	1	
	76	887-905	TRIGGER PLUNGER	1	
	77	887-840	O-RING	1	
	78	877-393Z	NAIL FEEDER	1	
	79	878-422	RIBBON SPRING	1	
	80	878-418	NEEDLE ROLLER	1	
	81	876-465	NYLON NUT M4	1	
	82	949-453	SPRING WASHER M4 (10 PCS.)	1	
	83	877-371	NYLON NUT M5	1	
	84	949-454	SPRING WASHER M5 (10 PCS.)	1	
	85	884-065	MAGAZINE	1	
	86	876-550	SLEEVE	1	
	87	949-824	HEX. SOCKET HD. BOLT M5 X 45 (10 PCS.)	1	
	88	949-650	HEX. SOCKET HD. BOLT M4 X 15 (10 PCS.)	1	
	89	877-396Z	STOP LEVER	1	
	90	877-398	COLLAR	1	
	91	877-397	STOPPER SPRING	1	
	92	877-402	WASHER	1	
	93	885-827	MAGAZINE ASS'Y	1	INCLUD. 36, 37, 51, 81-91
*	94	884-077	SPRING (A)	1	FOR WITHOUT DEPTH ADJUSTMENT TYPE
*	95	887-906	PUSHING LEVER (C)	1	FOR WITHOUT DEPTH ADJUSTMENT TYPE
	96	884-075	GUARD	1	
*	97	887-772	NOSE	1	FOR WITHOUT DEPTH ADJUSTMENT TYPE

STANDARD ACCESSORIES

NR 83A3

ITEM NO.	CODE NO.	DESCRIPTION	NO. USED	REMARKS
501	875-769	SAFETY GLASSES	1	

OPTIONAL ACCESSORIES

ITEM NO.	CODE NO.	DESCRIPTION	NO. USED	REMARKS
601	881-768	GRIP TAPE (A)	1	
602	880-407	TAPE	2	
603	877-153	PNEUMATIC TOOL LUBRICANT (30 CC)	1	
604	874-042	PNEUMATIC TOOL LUBRICANT (120 CC)	1	
605	876-212	PNEUMATIC TOOL LUBRICANT (1 L)	1	
606	317-918	GREASE (ATTOLUB NO. 2) 500 G	1	