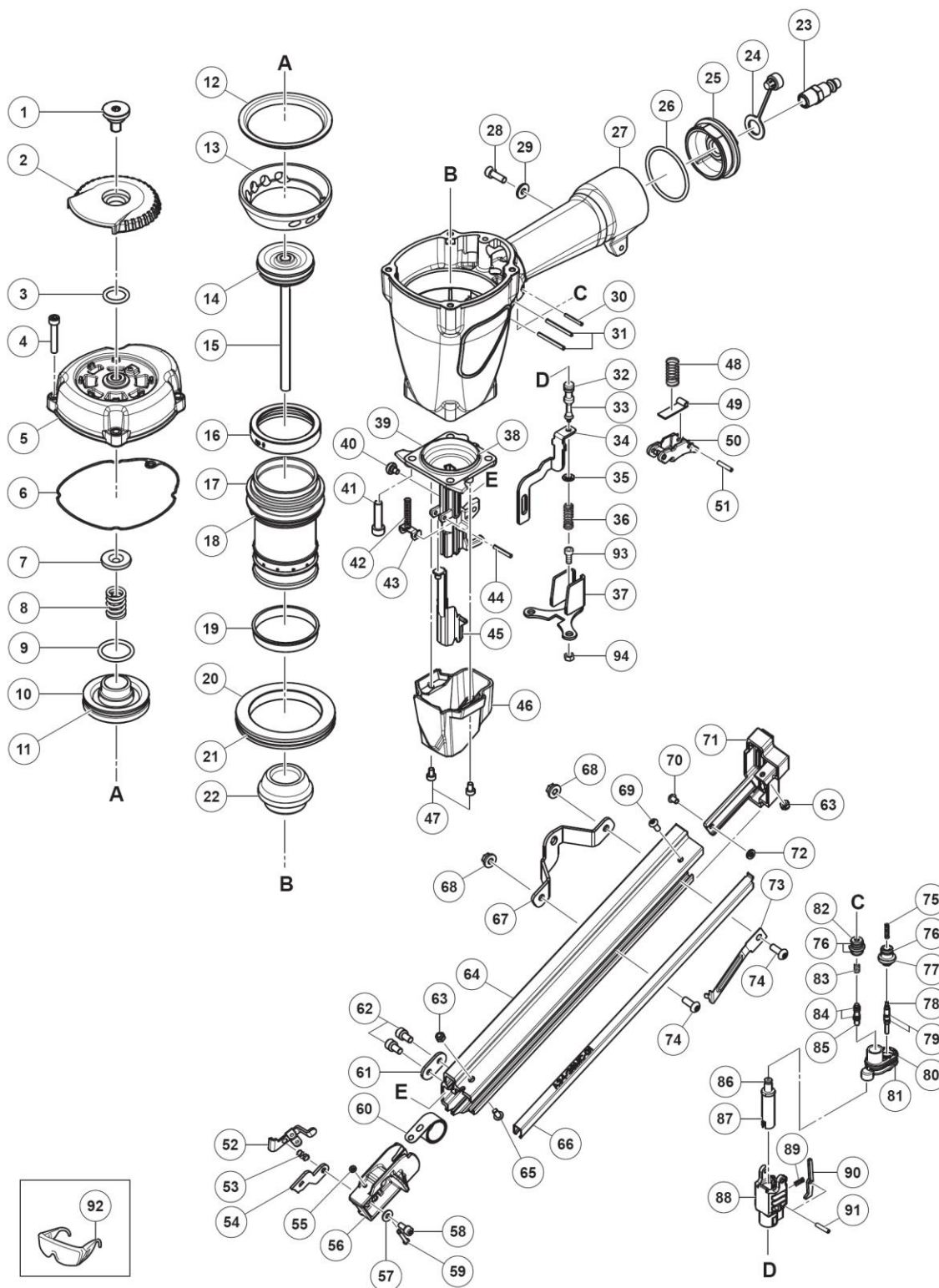


PNEUMATIC TOOL PARTS LIST

■ STRIP NAILER
Model NR 38AK

2019 • 02 • 05
(E1a)



REV.2

形名	尺度	図番
NR38AK	%	TU02073

PARTS

NR38AK

ITEM NO.	CODE NO.	DESCRIPTION	NO. USED	REMARKS
1	888574	DEFLECTOR PAD	1	
2	888575	DEFLECTOR	1	
3	888576	O - RING	1	
4	888577	HEX.SOC.HD.BOLT	4	
5	888578	CAP	1	
6	888579	PACKING	1	
7	888581	SEAL	1	
8	888580	COMPRESSION SPRING	1	
9	888582	O - RING	1	
10	888583	HD.VALVE PISTON	1	
11	888584	O - RING	1	
12	888585	PRESS RING	1	
13	888586	CYLINDER PRESS RING	1	
14	888587	O-RING	1	
15	888588	DRIVER UNIT	1	
16	888531	COLLAR	1	
17	888589	CYLINDER	1	
18	888590	O - RING	1	
19	888591	CYLINDER RING	1	
20	888592	CYLINDER SPACER	1	
21	888593	O - RING	1	
22	888594	BUMPER	1	
23	888545	AIR PLUG	1	
24	888544	AIR PLUG CAP	1	
25	888612	END CAP	1	
26	888613	O - RING	1	
27	888611	GUN BODY UNIT	1	
28	888651	HEX.SOC.HD.BOLT	1	
29	888652	FLAT WASHER	1	
30	888609	SPRING PIN	1	
31	888610	SPRING PIN	2	
32	890197	O - RING	1	
33	888624	ACTUATION VALVE	1	
34	888625	SAFETY B	1	
35	888626	SNAP NUT	1	
36	888627	SAFETY SPRING	1	
37	888628	SAFETY STOPPER	1	
38	888614	O - RING	1	
39	888615	NOSE PIECE	1	
40	888638	HALF ROUND HD.HEX.BOLT	1	
41	888616	HEX.SOC.HD.BOLT	1	
42	888622	SAFETY SPRING	1	
43	888619	SPRING BASE	1	
44	888645	SPRING PIN	1	
45	888621	SAFETY A	1	
46	888620	SAFETY COVER	1	
47	888617	HEX.SOC.HD.BOLT	1	
48	888605	SPRING	1	
49	888606	SECONDARY TRIGGER	1	
50	888607	TRIGGER	1	
51	888608	SPRING PIN	1	
52	888629	PUSHER	1	
53	888630	SPRING	1	
54	888631	POSITIONING SHEET	1	
55	888476	URETHANE RETAINER	1	
56	888632	PROTECTING HOOD COVER	1	
57	888618	FLAT WASHER	1	
58	888633	BOLT ASSY	1	
59	888634	FIXED PIN	1	
60	888637	SPRING	1	

