

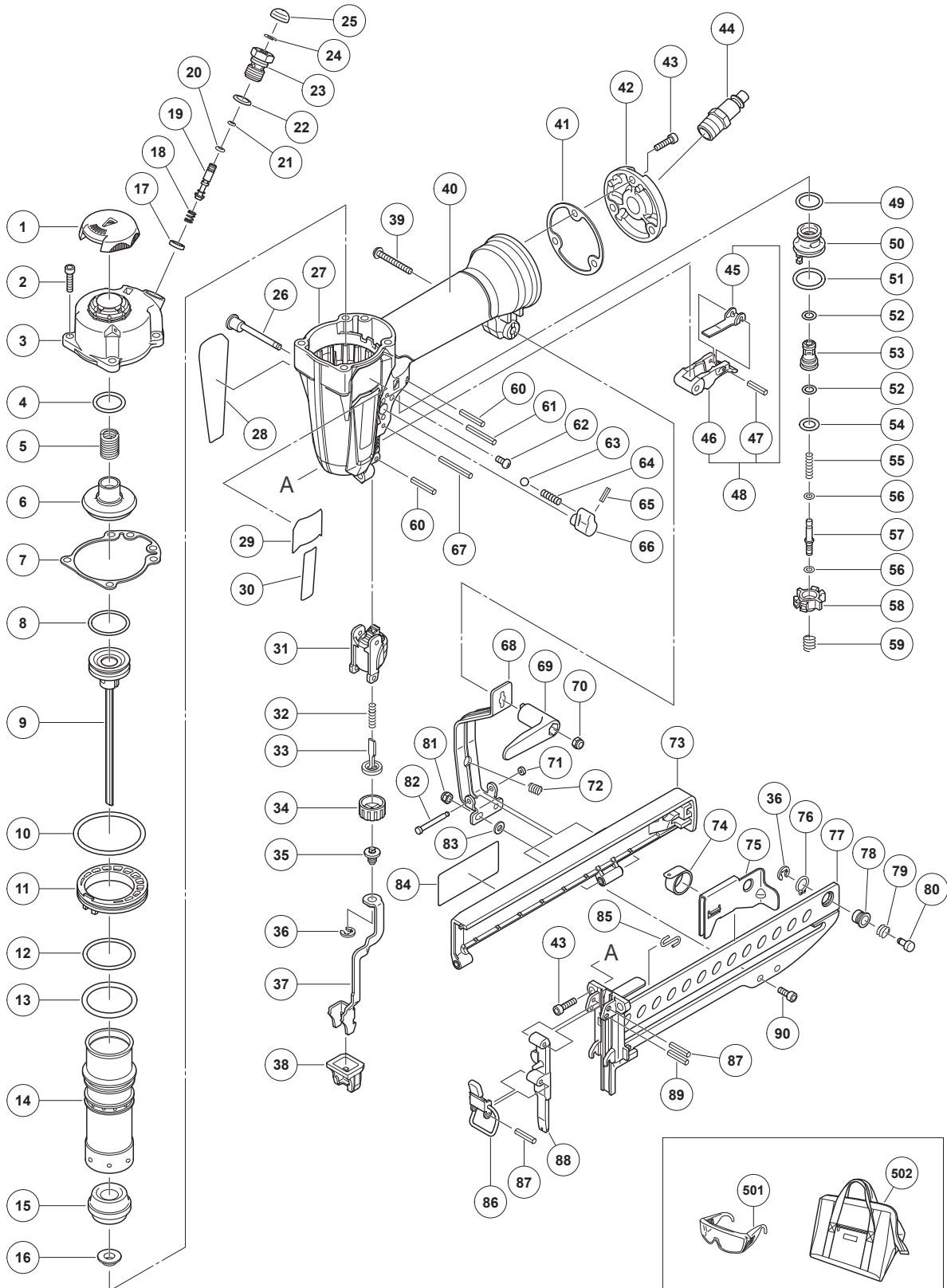
PNEUMATIC TOOL PARTS LIST

STAPLER

2019 · 4 · 12

Model N 3804A5

(E1)



PARTS

N 3804A5

ITEM NO.	CODE NO.	DESCRIPTION	NO. USED	REMARKS
1	886197	TOP COVER	1	
2	949757	HEX. SOCKET HD. BOLT M5 X 20 (10 PCS.)	4	
3	889494	EXHAUST COVER	1	
4	878600	HEAD VALVE O-RING	1	
5	880190	HEAD VALVE SPRING	1	
6	880410	HEAD VALVE (A)	1	
7	885868	GASKET	1	
8	886068	O-RING (P22.4)	1	
9	890204	PISTON	1	
10	885871	O-RING (I.D 44.7)	1	
11	885872	CYLINDER PLATE	1	
12	301684	O-RING (S-30)	1	
13	986374	O-RING (P-32)	1	
14	885873	CYLINDER	1	
15	885874	PISTON BUMPER	1	
16	885968	BUMPER PIECE	1	
17	884338	VALVE PACKING	1	
18	887177	SPRING	1	
19	884333	PLUNGER	1	
20	873093	O-RING (1AP-3)	1	
21	881715	O-RING (S3)	1	
22	987105	O-RING (S-10)	1	
23	887150	VALVE BUSHING	1	
24	968643	RETAINING RING (E-TYPE) FOR D4 SHAFT	1	
25	886743	KNOB	1	
26	888798	CHANGE ROD (D)	1	
27	889493	BODY ASS'Y	1	INCLUD.40
28	889538	LABEL	1	
29	890195M	NAME PLATE	1	
30	889535M	BRAND LABEL	1	
31	890193	PUSHING LEVER GUIDE (E)	1	
32	885881	PUSHING LEVER SPRING (A)	1	
33	889331	PUSHING LEVER (D)	1	
34	886736	ADJUSTER	1	
35	885885	PUSHING LEVER (B)	1	
36	872971	RETAINING RING (E-TYPE) FOR D3 SHAFT	2	
37	885972	PUSHING LEVER (A)	1	
38	885969	NOSE CAP	1	
39	887138	MACHINE SCREW (W/WASHER) M5 X 40 (BLACK)	1	
40		GRIP RUBBER	1	SUPPLIED WITH ITEM NO.601,602
41	887171	GASKET (B)	1	
42	886734	CAP (A)	1	
43	949821	HEX. SOCKET HD. BOLT M5 X 16 (10 PCS.)	5	
44	890047	AIR PLUG NPT 1/4	1	
45	887755	TRIGGER ARM (D)	1	
46	887695	TRIGGER (D)	1	
47	881951	ROLL PIN D2.5 X 16	1	
48	887756	TRIGGER (D) ASS'Y	1	INCLUD.45-47
49	877763	FEED PISTON O-RING (I.D. 14)	1	
50	884963	VALVE BUSHING (B)	1	

