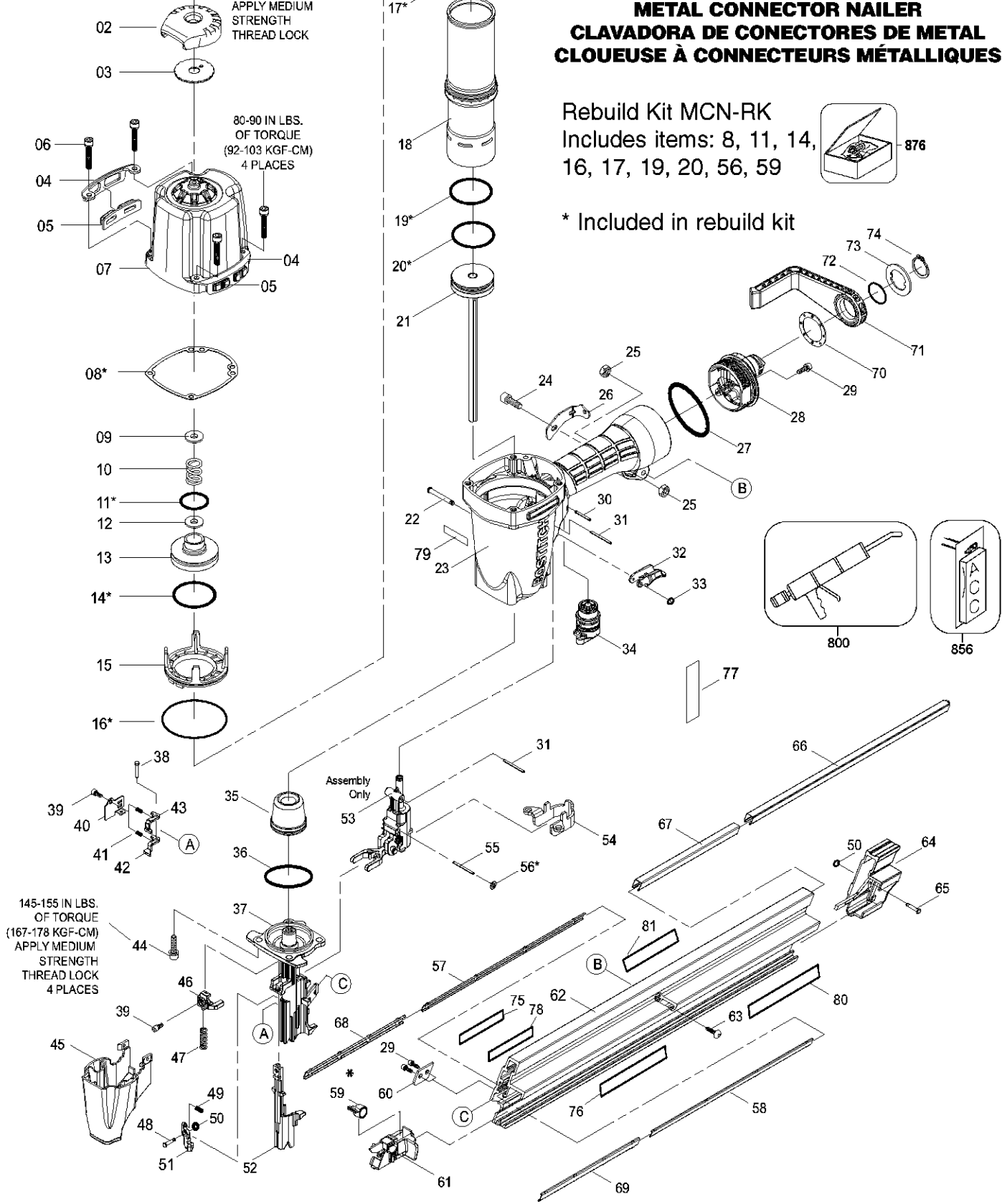


METAL CONNECTOR NAILER
CLAVADORA DE CONECTORES DE METAL
CLOUEUSE À CONNECTEURS MÉTALLIQUES



IP1256-1REVB 05/07
 TO BE USED WITH PARTS LIST IP1256-2 AND OPERATION AND MAINTENANCE MANUAL 171436.

Parts List for MCN250 Type 0

Item Number	Part Number	Description	Qty Required
1	175551	SCREW-SHOULDER	1
2	175552	COVER-EXHAUST	1
3	175553	PLATE-SET	1
4	174046	BRACKET-RUBBER PAD	2
5	174045	PAD-RUBBER	2
6	175554	SCREW-SHCS-M5X0.80X3	4
7	175555	ASSEMBLY-DEFLECTOR	1
8	174050	GASKET-FRAME/DEFLECT	1
9	174049	SEAL-DEFLECTOR	1
10	174051	SPRING-COMPRESSION	1
11	174053	O-RING-20.8MMX2.4MM	1
12	174052	WASHER-SPECIAL	1
13	174054	PISTON-HEAD VALVE	1
14	174055	O-RING-44.7MMX3.5MM	1
15	175556	COLLAR-CYLINDER SLEE	1
16	174056	O-RING-66.5MMX2.0MM	1
17	174058	O-RING-45.5MMX2.0MM	1
18	175558	SLEEVE-CYLINDER	1
19	86460	O-RING	1
20	174060	O-RING-36.0MMX4.0MM	1
21	175560	ASSEMBLY-DRIVER/PIST	1
22	174062	STEPPED PIN	1
23	174063	ASSEMBLY-FRAME	1
24	174064	SCREW-SHCS-M5X0.8X18	1
25	174065	NUT-NYLON LOCK-M5X0.	2
26	174066	BRACKET-END CAP	1
27	850242	O-RING-1.799X.103	1

Parts List for MCN250 Type 0

Item Number	Part Number	Description	Qty Required
28	175561	CAP-END	1
29	174069	SCREW-SHCS-M4X0.7X10	3
30	174070	PIN-SPRING-M3X22MM	1
31	100298	PIN-SPIRAL M3X30	2
32	174072	ASSEMBLY-TRIGGER	1
33	174073	O-RING	1
34	TVA14	KIT-TRIGGER VALVE	1
35	175562	BUMPER-PISTON STOP	1
36	851483-S	O-RING	1
37	186236	NOSE ASSEMBLY	1
38	175564	PIN-CHECK PAWL	1
39	174080	SCREW-SHCS-M4X0.7X8	2
40	175565	COVER-CHECK PAWL	1
41	175566	SPRING-CHECK PAWL	2
42	175567	CHECK PAWL	1
43	175568	CHECK PAWL B	1
44	174078	SCREW-SHCS-M6X1.0X25	4
45	175569	COVER-NOSE	1
46	174081	FOLLOWER-MOVABLE NOS	1
47	174082	SPRING-COMPRESSION	1
48	175570	PIN-STOP BLOCK	1
49	175571	SPRING-STOP BLOCK	1
50	174093	WASHER-SPECIAL	2
51	175572	STOP BLOCK	1
52	175573	NOSE-MOVABLE	1
53	174084	ASSEMBLY-CT HOUSING	1
54	174085	BRACKET-CT HOUSING	1

Parts List for MCN250 Type 0

Item Number	Part Number	Description	Qty Required
55	174086	PIN-SPRING-M3X45MM	1
56	174087	FIXED PLUG	1
57	175574	LINER-NAIL GUIDE	1
58	175575	LINER-NAIL GUIDE	1
59	175576	ASSEMBLY-PUSHER SPRI	1
60	175577	SPACER-MAGAZINE	1
61	175578	ASSEMBLY-PUSHER	1
62	175587	MAGAZINE	1
63	174094	SCREW-SBHCS-M5X0.8X1	1
64	175580	COVER-MAGAZINE	1
65	174092	PIN-SPECIAL	1
66	175581	LINER-NAIL GUIDE	1
67	175588	SHORT LINER-NAIL GUI	1
68	175589	LINER A-SHORT NAIL	1
69	175590	LINER B-SHORT NAIL	1
70	175582	SEAT PLATE-HOOK	1
71	175583	HOOK	1
72	175557	O-RING-21.9MMX2.62MM	1
73	175585	CAP-HOOK	1
74	175586	RING-RETAINING	1
75	159922	LABEL-WARNING-SB TOO	1
76	171498	LABEL-WARNING-MCN150	1
77	175638	LABEL-STRAP SHOT	1
78	177782	LABEL-MCN250 FASTENE	1
79	177783	LABEL-MCN250	1
80	175429	LABEL-USE ONLY BOSTI	1
81	177780	LABEL-WARNING	1

Parts List for MCN250 Type 0

Item Number	Part Number	Description	Qty Required
800	100653	LUBE (2CC)	1
800	100679	LUBE (1LB.CAN)	1
876	MCN-RK	REBUILD KIT: MCN150	1