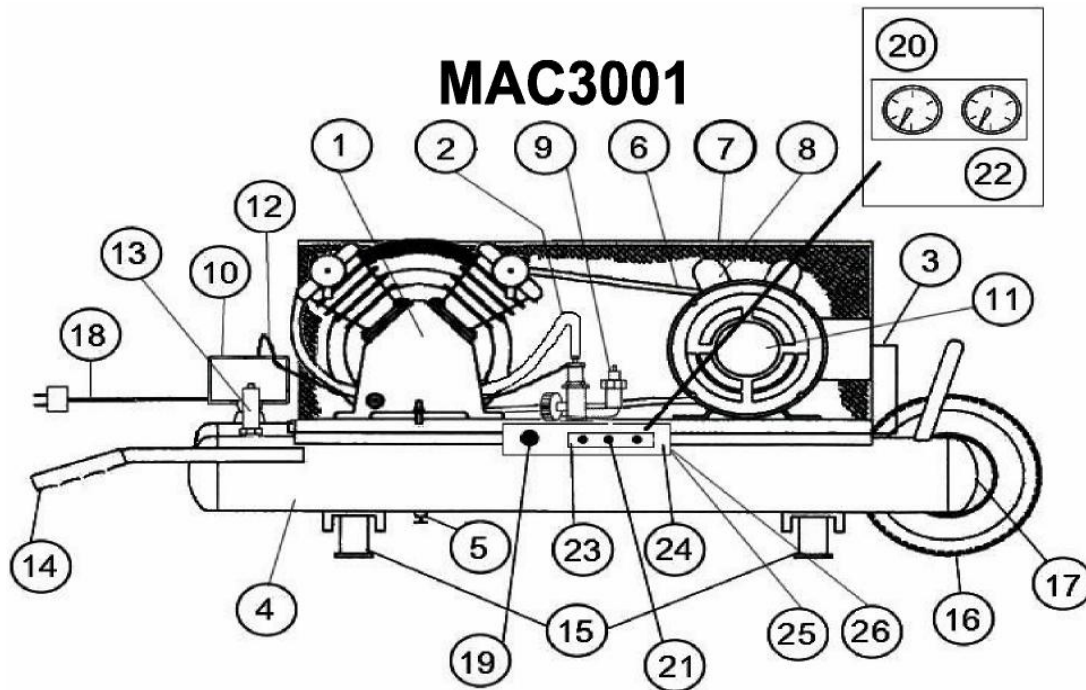




10 - 2010  
**MAC3001**  
**3HP 8GAL COMPRESSOR**

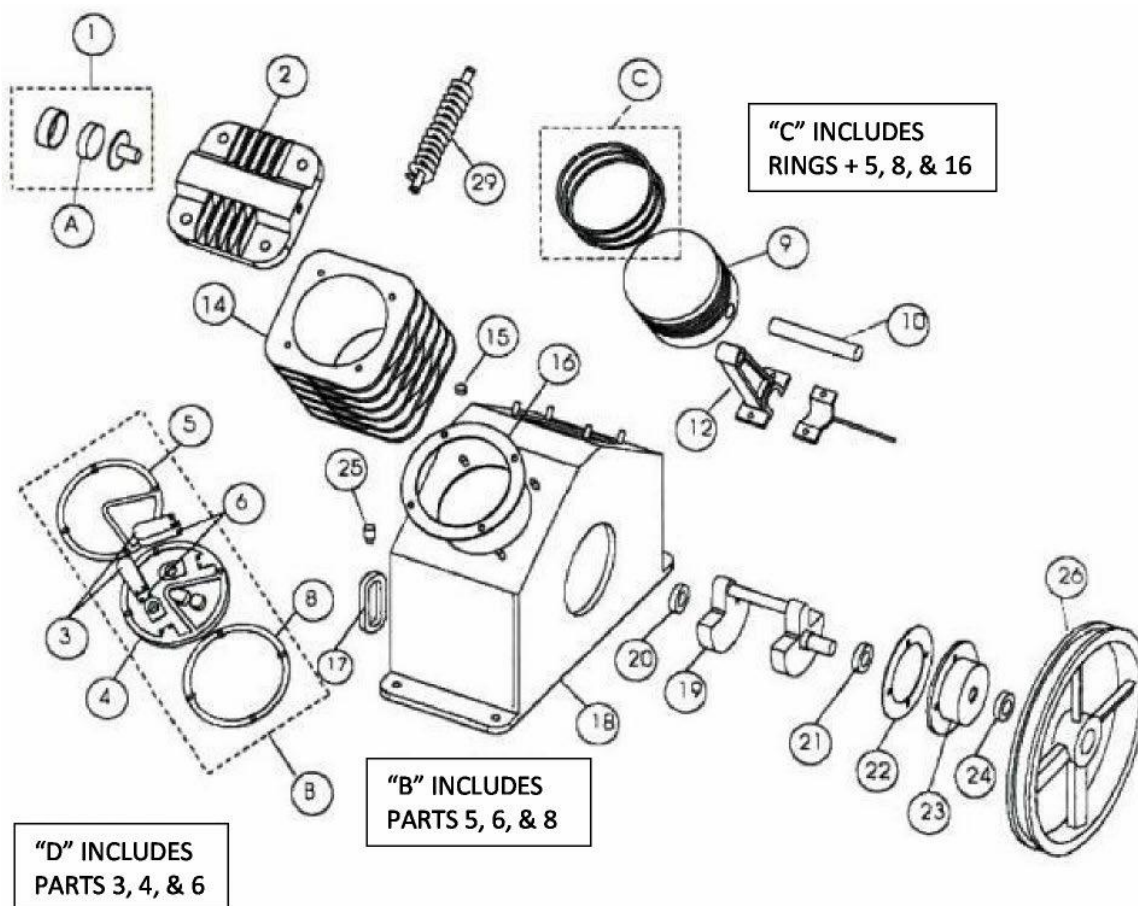


Item No	Type	Ref are	Part No	S Description	Qty	Unit
001			PV01A	COMPRESSOR W/ FLYWHEEL (See Page 3 ~ )	1	PC.
002			TU-20-AL	20.75" DISCHARGE TUBE W/ FITTINGS (OLD# TU-15-AL)	1	PC.
003			12/3-42-TT50	WIRING HARNESS	1	PC.
004			8TT35X5-M	AIR RECEIVER	1	PC.
005	2		240-B	DRAIN COCK	2	PC.
006			4L530	V-BELT	1	PC.
007			BGC	BELT GUARD	1	PC.
008			EM0.0-36-1ODV	ELECTRIC MOTOR	1	PC.
009			NDC29-M	PILOT UNLOADER/CHECK VALVE	1	PC.
010			21UCBDB-CH	PRESSURE SWITCH	1	PC.
011			MA30X5/8	MOTOR PULLEY	1	PC.
012			TU1/4BLK	UNLOADER TUBE 30" W/ FITTING	3	PC.
013			PSV1/4-150	SAFETY VALVE	1	PC.
014			435017	HANDLE GRIP	2	PC.
015			TT-FOOT	VIBRATION DAMPER	4	PC.
016	1		TT-WHEEL	PNEUMATIC WHEEL	1	PC.
	2		TT-WHEEL-SQ-FF	FLAT FREE TIRE	1	PC.
017			WA1001	AXLE	1	PC.
018			12/3-72-PT	POWER CORD W/ PLUG	1	PC.
019			410029	REGULATOR	1	PC.
020			411029	PRESSURE/REGULATOR GAUGE	1	PC.
		INC.	411029-1-01	GLASS LENS	1	PC.
021	2		10TT-8	QUICK COUPLER (1/4")	3	PC.
022			411029	PRESSURE/REGULATOR GAUGE	1	PC.
		INC.	411029-1-01	GLASS LENS	1	PC.

Item No	Type	Ref are	Part No	S Description	Qty	Unit
023	2		10TT-9	TRIPLE MANIFOLD BLOCK	1	PC.
024	2		CNTRLPAN	CONTROL PANEL	1	PC.
025			10TT-12	1/8" NPT ELBOW (FOR COUPLER)	3	PC.
026			10TT-13	1/4" NPT ELBOW (FOR REGULATOR)	1	PC.
027			TT-HOSE	REGULATOR HOSE (YELLOW)	1	PC.
030			353001	SCREW F/ PRESSURE/REGULATOR GAUGE	1	PC.
031			371001	NUT F/PRESSURE/REGULATOR GAUGE	1	PC.
032	Opt.		CNTLPANASSY	CONTROL PANEL ASSY	1	PC.
		INC.		Item No. 12, 19, 20, 21, 23, 24, 27		
100			001024	SCREW (FOR TT-FOOT)	4	PC.

10-2010  
PV01A

COMPRESSOR WITH FLYWHEEL



Item No.	Type	Sub	Part No.	Description	Qty	Unit
001	2		MAIF35	INTAKE FILTER ASSY W/O RETAIL PACKAGING	2	PC.
		INC.	82513-0505	BUTTERFLY NUT	1	PC.
		INC.	----	GASKET	1	PC.
		INC.	----	Item no. A		
002			51121-0101	CYLINDER HEAD	2	PC.
003			51121-3102	LIFT LIMITER - DISCHARGE VALVE PLATE	2	PC.
004			51121-2101	VALVE SEAT	2	PC.
005			51121-2105	VALVE SEAT TO HEAD GASKET	2	PC.
006			51121-2103	DISCHARGE VALVE PLATE	4	PC.
008			51121-2104	VALVE SEAT TO CYLINDER GASKET	2	PC.
009			52121-5101	PISTON	2	PC.
010			51121-5112	PISTON PIN C/W SNAP RINGS	2	PC.
012	001		51121-5120	QUICK COUPLER (1/4")	2	PC.
	002		10TT-8	QUICK COUPLER (1/4")	2	PC.
014			52121-4101	CYLINDER	2	PC.
015			51111-4719	OIL FILLER CAP	1	PC.
016			51121-4103	CYLINDER TO CRANKCASE GASKET	2	PC.
017			51111-4770	OIL SIGHT GLASS C/W GASKET	1	PC.
018			51121-4701	CRANKCASE	1	PC.
019			51121-4601	CRANKSHAFT	1	PC.
020			83501-6205	FRONT BEARING	1	PC.

Item No.	Type	Sub	Part No.	Description	Qty	Unit
021			83501-6204	REAR BEARING	1	PC.
022			51121-4704	CRANKCASE TO REAR BEARING HOUSING GASKET	1	PC.
023			51121-4703	REAR BEARING HOUSING	1	PC.
024			51121-4708	OIL SEAL	1	PC.
025			51111-4761	CRANKCASE BREATHER	1	PC.
026			51121-6601	FLYWHEEL C/W FASTENERS	1	PC.
029			51121-7710	CONNECTING (INTERSTAGE) TUBING	1	PC.
Misc.			STREL1/4	1/4" STREET ELBOW (OIL DRAIN)	1	PC.
Misc.			83610-113025	REAR BEARING SNAP RING	1	PC.
Misc.			51121-7710	INTERSTAGE "Y" FITTING	1	PC.
Misc.			51112-7701	INTERSTAGE "ELBOW" FITTING	1	PC.
A	1		MAIF35E	INTAKE FILTER ELEMENT	1	PC.
	2		171006	AIR FILTER, ELEMENT ONLY	1	PC.
B			101000-151	VALVE REPAIR KIT	2	PC.
		INC.	51121-2105	VALVE SEAT TO HEAD GASKET (Item 5)	1	PC.
		INC.	51121-2103	DISCHARGE VALVE PLATE (Item 6)	2	PC.
		INC.	51121-2104	VALVE SEAT TO CYLINDER GASKET	1	PC.
		INC.	----	INTAKE VALVE PLATE (N/A as Individually)	1	PC.
		INC.	50000-2000	VALVE PLATE SCREWS	6	PC.
C			101000-255	RING REPAIR KIT	2	PC.
		INC.	51121-2105	VALVE SEAT TO HEAD GASKET (Item 5)	1	PC.
		INC.	51121-2104	VALVE SEAT TO CYLINDER GASKET (Item 8)	1	PC.
		INC.	51121-4103	CYLINDER TO CRANKCASE GASKET (Item 16)	1	PC.
		INC.	----	COMPRESSION RINGS (N/A as individually)	2	PC.
		INC.	----	OIL CONTROL RING (N/A as individually)	1	PC.
D			51121-2100	VALVE PLATE ASSY	2	PC.
		INC.	51121-2103	DISCHARGE VALVE PLATE (Item 6)	2	PC.
		INC.	51121-3101	METAL TRIANGLE	2	PC.
		INC.	51121-3102	LIFT LIMITER - DISCHARGE VALVE PLATE (Item 3)	1	PC.
		INC.	51121-2101	VALVE SEAT (Item 4)	1	PC.
		INC.	50000-2000	VALVE PLATE SCREW	4	PC.