

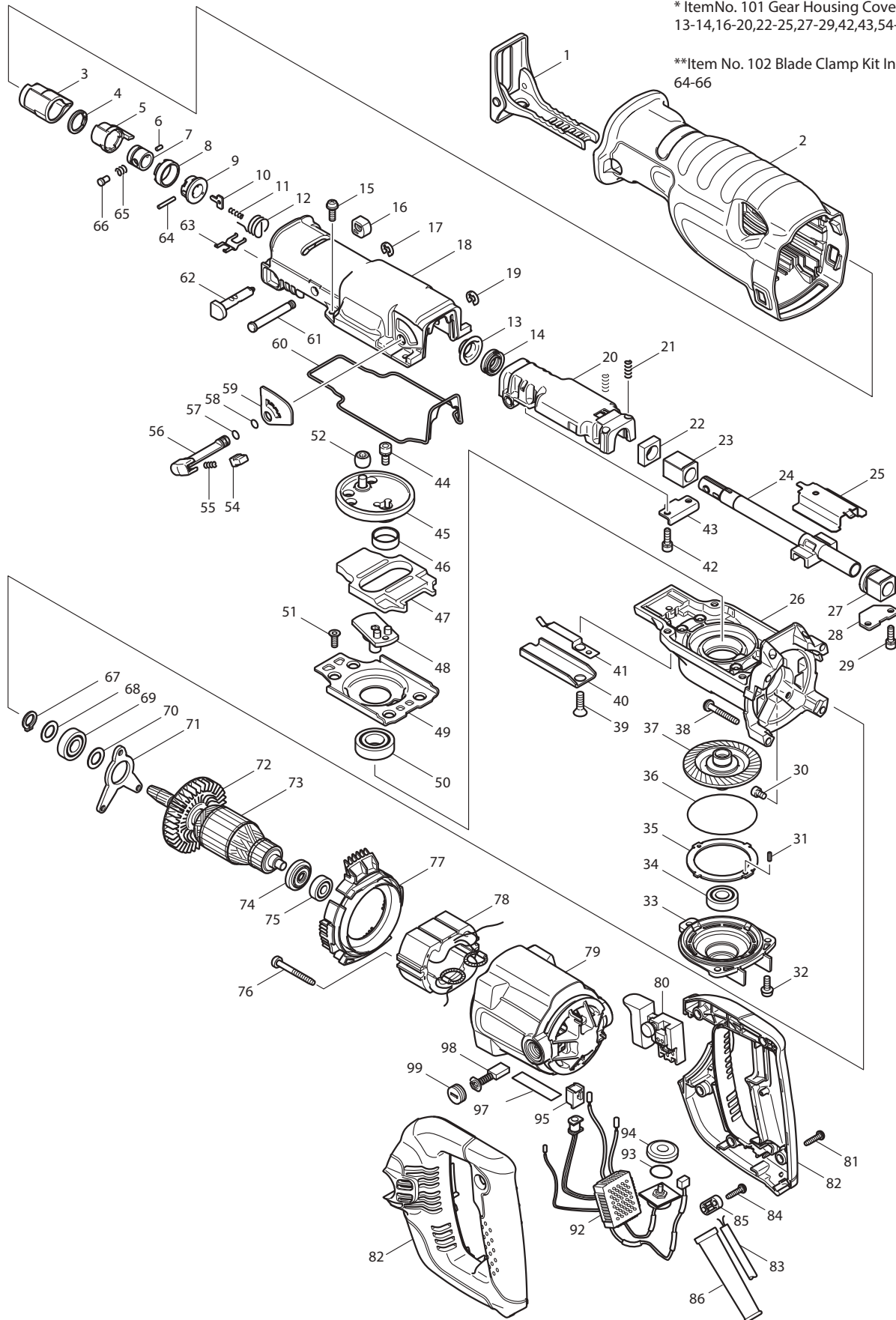


08 - 2010
JR3070CT

1-1/4" ORBITAL RECIPRO SAW - V.S (AVT - Anti-Vibration Technology)

* Item No. 101 Gear Housing Cover Assy Includes Item No. 13-14,16-20,22-25,27-29,42,43,54-59,61-66

**Item No. 102 Blade Clamp Kit Includes Item No. 3-12, 64-66



Item No	Type	Sub	Part No.	Description	Qty	Unit
001			163453-5	SHOE	1	PC.
002			421904-7	INSULATION COVER	1	PC.
003	2		424147-0	* PROTECTOR	1	PC.
004	2		257952-8	* RETAINING RING (EXT) 18	1	PC.
	3		257430-8	* RETAINING RING (EXT) 18	1	PC.
005	2		310285-3	* DRIVING SLEEVE	1	PC.
006			268094-3	PIN 3	1	PC.
007	2		331720-8	* GUIDE SLEEVE	1	PC.
	3		327043-0	* GUIDE SLEEVE	1	PC.
008			417791-0	DRIVING SLEEVE GUIDE	1	PC.
009			418311-3	SLEEVE	1	PC.
010			345214-7	PUSH PLATE	1	PC.
011			233025-1	COMPRESSION SPRING 2	1	PC.
012			231687-9	TORSION SPRING 17	1	PC.
013			257742-9	SHOULDER SLEEVE 14	1	PC.
014			213174-0	X RING 14	1	PC.
015			911225-0	PAN HEAD SCREW M5X16	4	PC.
016			418806-6	CAP	1	PC.
017			961012-7	STOP RING E-6	1	PC.
018			154551-6	GEAR HOUSING COVER COMPLETE	1	PC.
019			961012-7	STOP RING E-6	1	PC.
020			154502-9	SLIDER SUPPORT COMPLETE	1	PC.
021			233038-2	COMPRESSION SPRING 5	2	PC.
022			423343-7	SEAL PLATE 14	1	PC.
023			214170-1	PLANE BEARING 14A	1	PC.
024	3		168410-8	SLIDER	1	PC.
025			345487-2	SLIDE PLATE	1	PC.
026			317842-8	GEAR HOUSING	1	PC.
027			154547-7	BEARING COMPLETE	1	PC.
028			345486-4	PLATE B	1	PC.
029	2		911225-0	PAN HEAD SCREW M5X16	2	PC.
030			265530-0	HEX.SOCKET HEAD BOLT M5X8	3	PC.
032			911225-0	PAN HEAD SCREW M5X16	3	PC.
033			317844-4	BEARING BOX	1	PC.
034			211101-1	BALL BEARING 6001LLB	1	PC.
036			213726-7	O RING 62	1	PC.
037			154549-3	TORQUE LIMITER COMPLETE	1	PC.
038	2		266373-3	TAPPING SCREW 5X35	4	PC.
039	2		265165-7	TORX SOCKET C.S.HEADSCREW M6X16	1	PC.
040			345479-1	SHOE GUIDE	1	PC.
041			232222-6	LEAF SPRING B	1	PC.
042	2		911225-0	PAN HEAD SCREW M5X16	2	PC.
043			345485-6	PLATE A	1	PC.
044			265531-8	HEX.SOCKET HEAD BOLT M6X14	1	PC.
045			154545-1	CRANK CAM COMPLETE	1	PC.
046			257265-7	RING 21	1	PC.
047			313121-2	COUNTER WEIGHT	1	PC.
048			154546-9	CRANK BASE COMPLETE	1	PC.
049			345489-8	GUIDE PLATE	1	PC.
050			211251-2	BALL BEARING 6003LLB	1	PC.
051			265148-7	TORX SOCKET HEAD SCREW M5X14	4	PC.
052			212957-5	NEEDLE BEARING 710	1	PC.
054			418991-5	STOPPER	1	PC.
055			231309-1	COMPRESSION SPRING 5	1	PC.
056			272247-8	LEVER 20	1	PC.
057			213021-5	O RING 5	1	PC.
058			213021-5	O RING 5	1	PC.
059			413095-8	PLATE C	1	PC.
060			421899-4	SEAL RING	1	PC.
061			268012-1	PIN 7	1	PC.
062			162236-0	SHIFT BUTTON	1	PC.
063			232221-8	LEAF SPRING A	1	PC.

Item No	Type	Sub	Part No.	Description	Qty	Unit
064			256158-5	PIN 3	1	PC.
065			233345-3	COMPRESSION SPRING 6	1	PC.
066			256492-3	SHOULDER PIN 5	1	PC.
067			961052-5	RETAINING RING S-12	1	PC.
068			253744-3	FLAT WASHER 12	1	PC.
069			211131-2	BALL BEARING 6001DDW	1	PC.
070			253744-3	FLAT WASHER 12	1	PC.
071			285719-4	BEARING RETAINER A	1	PC.
072			241863-7	FAN 70	1	PC.
073			513601-0	ARMATURE ASS'Y 115V	1	PC.
		INC.		Item No. 72,74,75		
074			681650-6	INSULATION WASHER	1	PC.
075			210029-0	BALL BEARING 608ZZ	1	PC.
076	3		266056-5	TAPPING SCREW 5X45	2	PC.
077			418817-1	BAFFLE PLATE	1	PC.
078			525716-1	FIELD ASS'Y 115V	1	PC.
		INC.	654020-2	RING TERMINAL	2	PC.
		INC.	654501-6	CONNECTOR P-1.25	2	PC.
079			154498-4	MOTOR HOUSING COMPLETE	1	PC.
		INC.	643708-9	BRUSH HOLDER 5-11	2	PC.
080	2		650222-8	SWITCH TG71ARS-1	1	PC.
081			265995-6	TAPPING SCREW 4X18	5	PC.
082			183933-5	HANDLE SET	1	PC.
083			664463-0	CORD W/PLUG 2P-14-2.5M, SJ	1	PC.
084			265995-6	TAPPING SCREW 4X18	2	PC.
085	2		687124-5	STRAIN RELIEF	1	PC.
086			682573-1	CORD GUARD 10	1	PC.
092			631650-6	CONTROLLER	1	PC.
093			213261-5	O RING 17	1	PC.
094			418905-4	DIAL	1	PC.
095			418518-1	SLEEVE	1	PC.
097			814N71-3	NAME PLATE F/JR3070CT	1	PC.
098	2		194996-6	CARBON BRUSH CB-303 2PC/SET W/ ORIGIN	1	SET
099			643750-0	BRUSH HOLDER CAP	2	PC.
101	1		125524-6	GEAR HOUSING COVER ASSEMBLY	1	PC.
		INC.		Item No. 3-14,16-20,22-25,27-29,42,43,54-59,61-66		
	2		127400-0	GEAR HOUSING COVER ASSEMBLY	1	PC.
		INC.		Item No. 3-14,16-20,22-25,27-29,42,43,54-59,61-66		
102	2		195929-4	BLADE CLAMP KIT	1	PC.
		INC.		Item No. 3-12, 64-66		
	3		191B01-2	BLADE CLAMP KIT	1	PC.
		INC.		Item No. 3-12, 64-66		
<u>ACCESSORIES</u>				- See catalogue or visit www.makita.ca for more optional accessories -		
A01			154609-1	STEEL CARRYING CASE COMPLETE	1	PC.
A02			194068-7	RECIPRO SAW BLADE 2PC/KIT (F/Metal, F/Wood)	1	SET
A06			195413-9	BOTLED BLADE CLAMP SET (See Partsbreakdown 195413-9)	1	PC.

SERVICE CHANGES:

1. CHANGES ON PROTECTOR & DRIVING SLEEVE

Item No.	Description	TYPE 1	TYPE 2
3	PROTECTOR	421894-4 (N/L/A)	424147-0
5	DRIVING SLEEVE	310160-3	310285-3

Above parts are interchangeable as a set. (T/I# 81159)

2. CHANGES ON RETAINING RING & GUIDE SLEEVE

Item No.	Description	TYPE 1	TYPE 2	TYPE 3
4	RETAINING RING	961078-7	257952-8	257430-8
7	GUIDE SLEEVE	331639-1	331720-8	327043-0

Above parts are interchangeable as a set. (T/I# 75599) (T/I# C8033)

3. CHANGES ON GEAR PLATE & SPRING PIN

Item No.	Description	TYPE 1	TYPE 2
31	SPRING PIN 3-8	951051-5	-----
35	GEAR PLATE	345488-0	-----

Above parts are eliminated as a set (T/I# 74066)