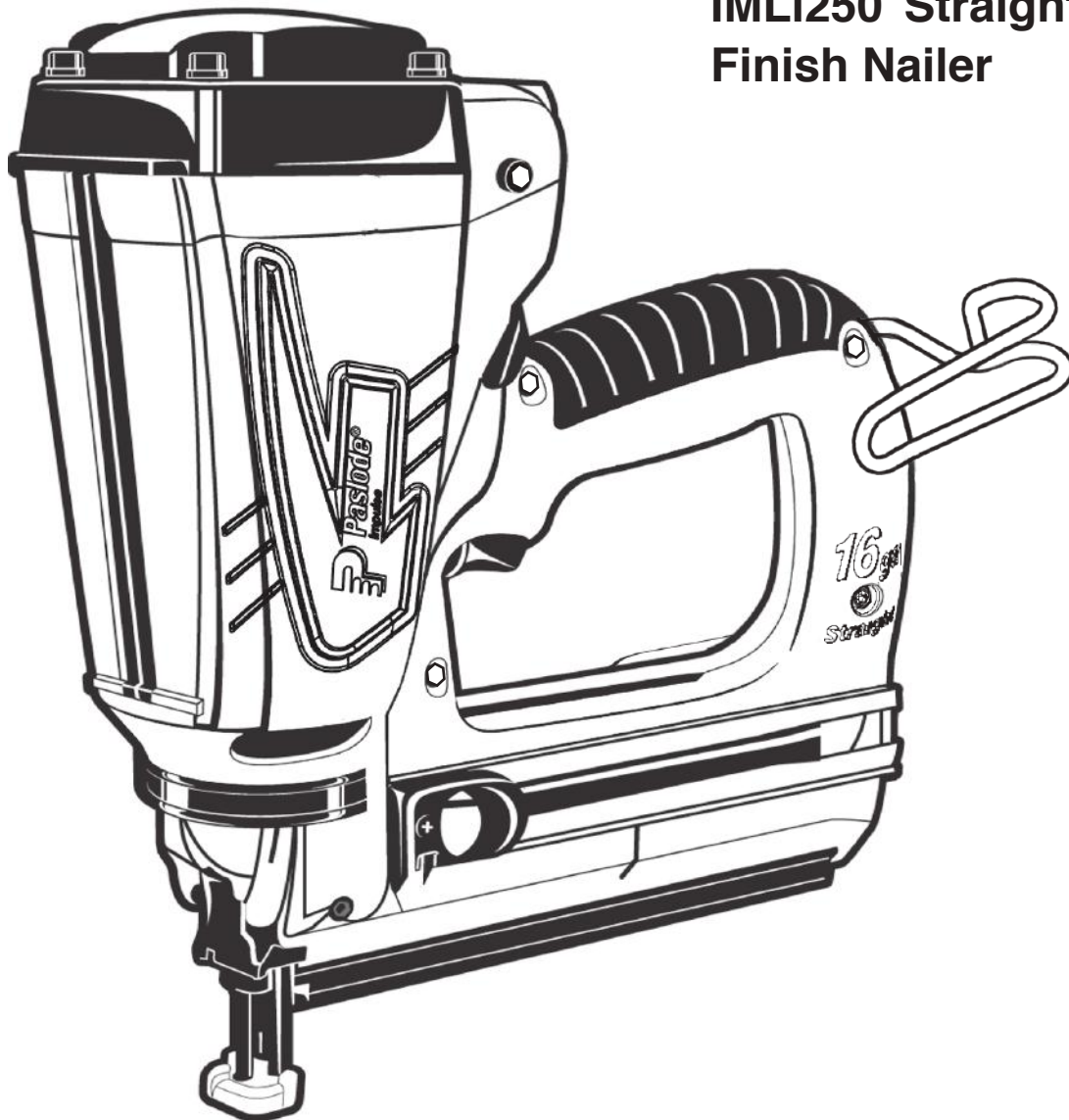


**IMPULSE™ Lithium ion
IMLi250 Straight 16 Ga.
Finish Nailer**



IMPORTANT!

DO NOT DESTROY

Always refer to operating manual for detailed information on this tool. It is the customer's responsibility to have all operators and service personnel read and understand this information.

TOOL SCHEMATIC AND PARTS

PARTS LEGEND Impulse 16 Gauge Lithium-Ion Straight Finish Nailer 903800

1	904555	1	Grille	47	903601	1	Handle/Right
* 2	900648	1	Filter	48	902230	1	Pin-Fuel Door
3	901064	4	Shoulder Screw 8-32 x 1-3/8"	49	904544	1	Dosing Lever
4	902446	1	Cap	50	904550	1	Fuel Door
5	901119	1	Retaining Ring	51	902235	1	Retaining Ring-Fuel Door
6	901382	1	Fan Motor Assembly with Ring	52	902434	1	Nut-Utility Hook
* 7	900785	1	Insulator	53	902433	1	Button
* 8	401356	1	Motor Sleeve	54	902431	1	Block-Utility Hook
9	900714	1	Spark Plug Assembly	55	902432	1	Spring
10	900674	1	Wire Clip	56	902435	1	Stop, Utility Hook
11	904504	1	Cylinder Head	57	902430	1	Utility Hook
12	904517	1	Fuel Barb	58	901044	1	Soft Grip
*13	904546	1	Fuel Tube	59	902440	1	Spark Unit (MSU)
14	902406	1	Fuel Block	60	900662	1	ESU Power Wire Assembly
15	904521	1	Pivot Arm	61	904562	1	Fan Motor Wire Assembly
16	900596	1	SEMS Screw, Torx	62	903611	1	Nameplate
17	900739	1	Cylinder Head Circuit Board Assy.	63	902621	1	Battery Pad
*18	900612	4	Seal Ring	64	902439	1	Molded Circuit Assembly
19	900709	1	Fan Assembly	65	900726	1	Switch Slide Assembly
20	900700	1	Air Dam	66	900792	2	Soc. Hd. Shoulder Screw (yellow)
21	900729	1	Combustion Chamber Assy	67	404702	2	Screw 6-32 x 3/8'
22	900707	2	Probe Bumper	68	904567	1	Spark Wire Assembly
23	900746	2	Screw, #8-32 x 7/16	69	901053	1	Trigger Spring
24	900704	1	Yoke	70	901082	1	Trigger and Spring Assembly
25	900734	1	Roll Pin	71	901047	1	Dowel Pin, Trigger
26	900804	2	Spring Guide Assembly	72	900629	1	Clip/ High Tension
27	902437	1	Knob w/ Yoke Guide Assembly	73	902007	1	Brad Channel
■ 28	903603	1	Lower Probe	74	902033	1	Magazine Extrusion
*29	900702	1	Probe Tip	75	902001	1	Nose
30	900688	1	Latch Cover, Quick Clear	76	900631	1	Spring, Lockout
31	900619	1	Dowel Pin	77	900602	1	Lockout Bar
32	900684	1	Front Plate	78	900630	1	Lockout Pin
33	900685	1	Dowel Pin	G-79	900660	2	Screw 10-32 x 3/8"
34	900786	1	Quick Clear Lever Assembly	80	900692	1	Retaining Cup
35	405140	4	Screw 8-32 x 3/8" (red)	81	900708	2	SHC Screw 8-32 x 1/2" (Red)
36	900668	1	Muffler Cover	82	900754	1	SHC Screw 8-32 x 1/2" (Yellow)
37	900609	1	Muffler	83	900722	1	Follower Pin
38	900664	1	Reed Valve	84	902002	1	Follower
39	900665	1	Reed Plate	85	900691	1	Compression Spring
40	901089	1	Exhaust Baffle	86	900627	1	Negator Spring
* 41	900616	1	Exhaust O-Ring	87	900720	1	Follower Core
42	403099	1	Retaining Ring	88	902008	1	Follower Body
43	403098	1	Piston Ring	89	900724	1	Screw, Plastite 8-16 x 5/8"
*93	900728	1	Piston Assembly	90	901066	4	Screw, Plastite 8-16 x 3/4"
*45	900680	1	Piston Bumper	91	903505	1	Logo Label "Right Side"
46	902402	1	Label, Li-Ion+Fuel	92	903602	1	Handle, Left
**96	903604	1	Warning & Instruction Label	93	902456	1	Cylinder Sleeve Assembly
97	900620	1	Front Channel	94	902457	1	Front Plate Assembly
98	902483	1	Sticker, Tool Service Promise	95	903506	1	Logo Label "Left Side"

* Indicates normal wear items

** Make sure Warning Label (903604) is properly affixed replace if necessary.

→ Denotes New Change

■ Apply Grease Part No. 900767 to Threads.

G-Apply Loctite RC-620 (Green)

SAFETY INSTRUCTIONS

WEAR EYE AND HEARING PROTECTION

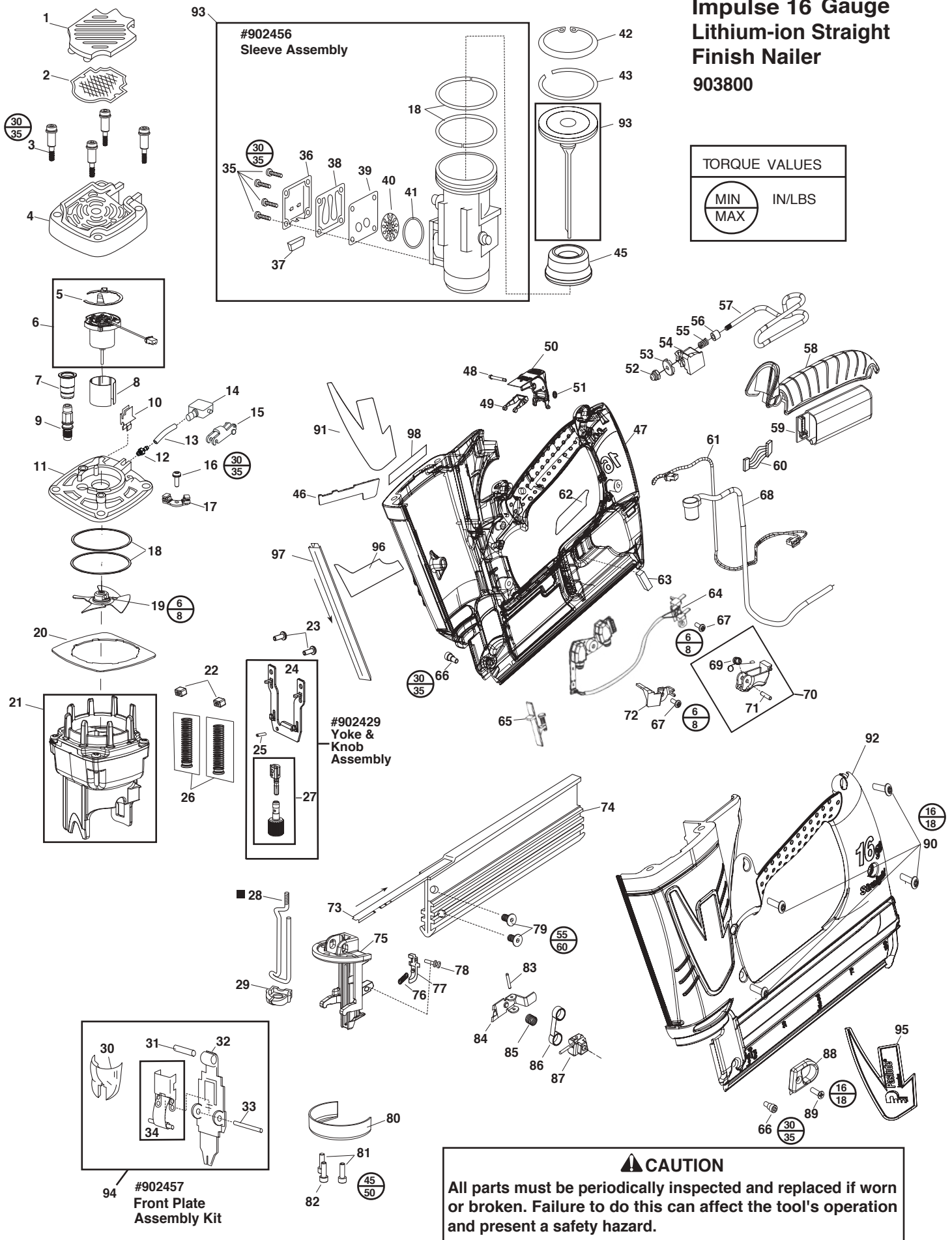


Always wear eye and hearing protection when operating a nail tool.

Impulse 16 Gauge Lithium-ion Straight Finish Nailer

903800

TORQUE VALUES	
MIN	IN/LBS
MAX	



CAUTION
All parts must be periodically inspected and replaced if worn or broken. Failure to do this can affect the tool's operation and present a safety hazard.

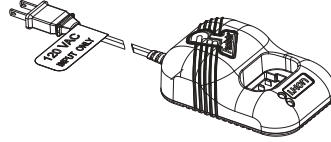
ACCESSORIES

Battery



Part No. 902654

Battery Charger



Part No. 902667

9/64" Hex Key



For cleaning tool.

Part No. 900736

Clear Safety Glasses



Part No. 401382

Tool Cleaner



Ideal cleaner for all Paslode® tools.

Part No. 219348

Paslode Cordless Lubricating Oil



Specially formulated for use in Paslode® Cordless tools.

Part No. 401482

Carrying Case



Part No. 902445

"NO MAR TIP (Li-Ion Straight)16 GA"

3 pack

Contains 3 of #900702 tips conveniently packaged in a reusable plastic box.

Part No. 219236



ITW Construction Products
120 Travail Rd.
Markham, ON L3S 3J1
www.paslode.ca
Tel # 800-387-6472