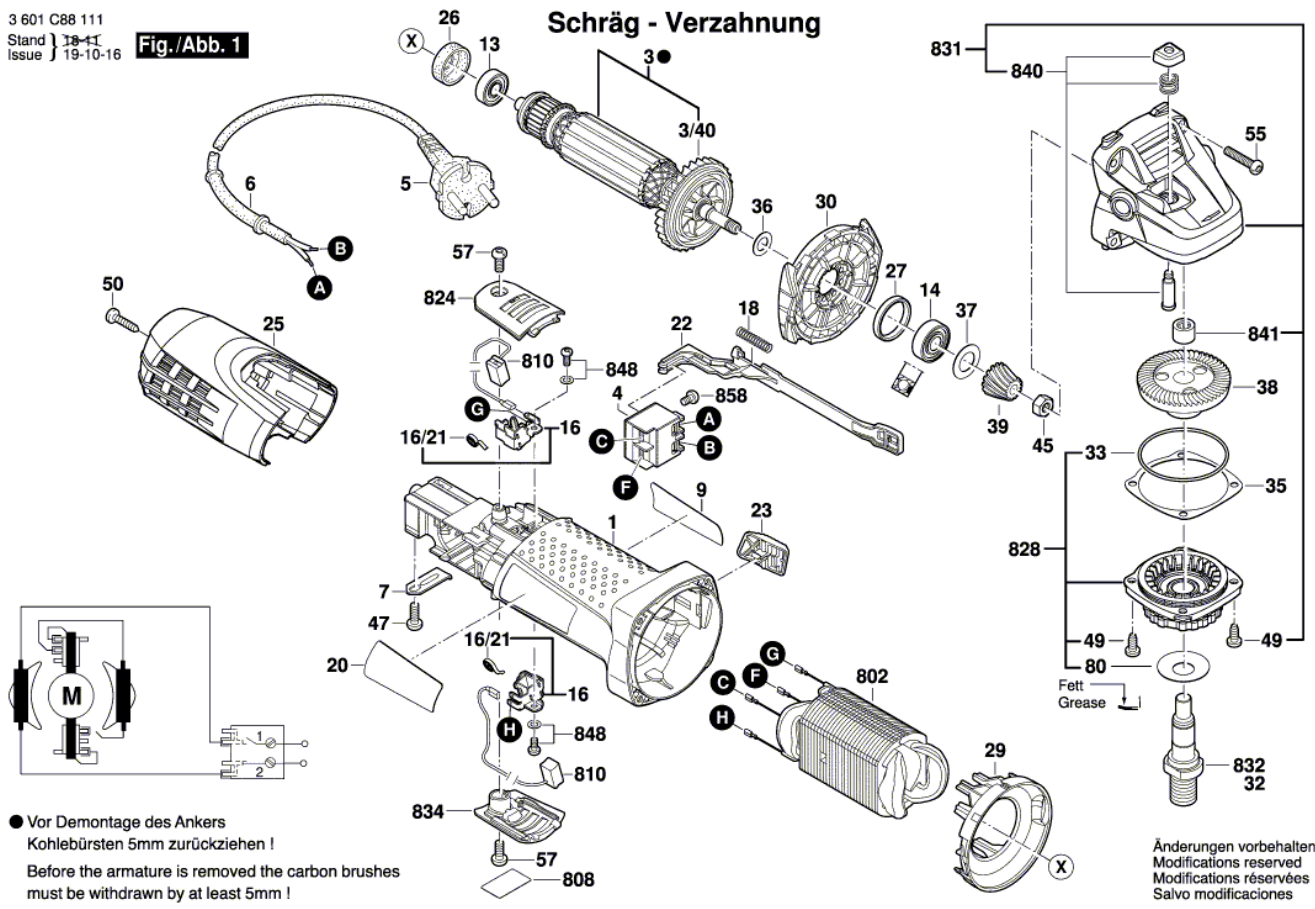




3 601 C88 111  
Stand | 18-11  
Issue | 19-10-16

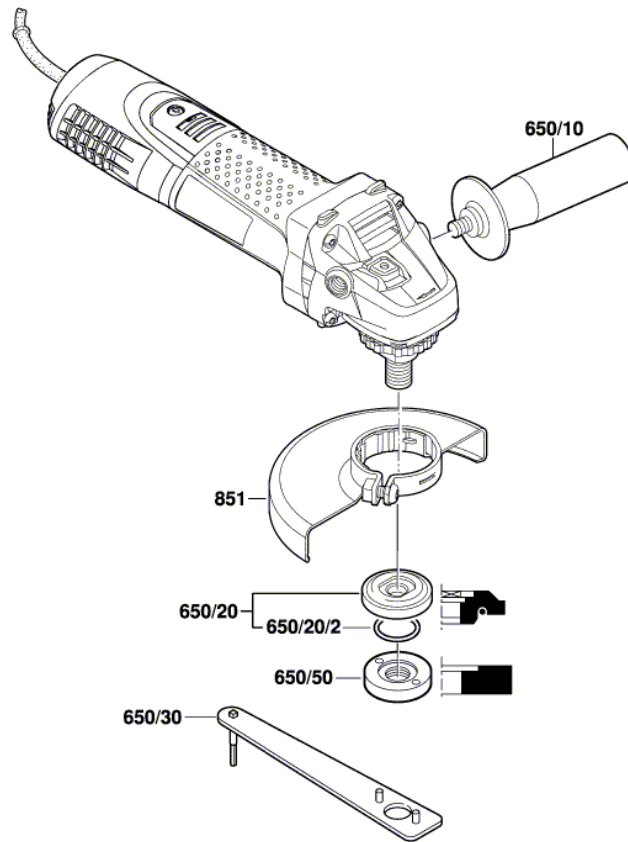
**Fig./Abb. 1**





3 601 C88 111  
Stand | 14-02  
Issue | 16-07-21

**Fig./Abb. 2**



Änderungen vorbehalten  
Modifications reserved  
Modifications réservées  
Salvo modificaciones



Pos.	Part Number	Description	Pos.	Part Number	Description
1	1 619 P13 625	Motor Housing			
3	1 619 P05 230	Armature			
3/40	1 619 P02 801	Fan			
4	1 607 200 146	Switch			
5	2 604 460 122	Power supply cord			
6	2 600 703 013	Grommet			
7	1 601 302 017	Fastening Clamp			
9	1 619 P02 982	Manufacturer's nameplate			
9	1 619 P13 927	Manufacturer's nameplate			
13	1 619 P00 456	Ball Bearing			
14	1 619 P00 455	Ball Bearing			
16	1 619 P02 845	Brush Holder			
16/21	1 619 P02 809	Spiral Spring			
18	1 604 611 031	Compression Spring			
20	1 619 P02 994	Warning Plate			
22	1 619 P02 811	Adjusting Slide			
23	1 619 P10 838	Switch Button			
25	1 619 P10 071	Housing Cover			
26	1 600 502 023	Intermediate Ring			
27	1 600 206 025	Rubber Ring			
29	1 619 P02 818	Air-Deflector Ring			
30	1 619 P02 819	Air Distributor			
32	3 603 523 503	Grinding Spindle			
35	1 619 P02 821	Shim			
35	1 619 P02 822	Shim			
36	1 619 P00 987	Washer			
37	1 600 100 033	Cover Disc			
38	1 619 P02 823	Crown Gear			
39	1 619 P02 825	Bevel Gear			
45	2 915 011 007	Hex Nut			
47	2 609 110 052	Special Screw			
49	1 603 435 068	Thread-forming tap. Screw			
50	1 619 P00 105	Torx Oval-Head Screw			
55	1 619 P01 066	Torx Oval-Head Screw			
57	1 619 P02 848	Torx Oval-Head Screw			
80	1 619 P09 390	Cover Disc			
650/10	1 602 025 027	Auxiliary Handle			
650/20	1 605 703 140	Clamping-Flange			
650/20/2	1 600 210 253	O-Ring			
650/30	1 619 P08 927	Pin-Type Face-Wrench			
650/50	3 603 340 503	Round Nut			
802	1 619 P20 628	Field			
808	1 619 P13 945	Nameplate			
810	1 619 P02 892	Carbon-Brush Set			
824	1 619 P14 294	Brush-Cover			
828	1 619 P07 452	Bearing Flange			
831	1 619 P02 872	Gear Housing			
834	1 619 P14 293	Brush-Cover			
840	1 619 P02 873	Push-Button			
841	1 600 910 018	Needle bearing			
848	1 619 P14 292	Torx Oval-Head Screw			
851	1 600 A00 XU6	Protective Cover			
858	2 910 641 081	Oval-Head Screw			
894	1 615 430 020	Grease Tube			
895	1 605 430 003	Grease Tube			