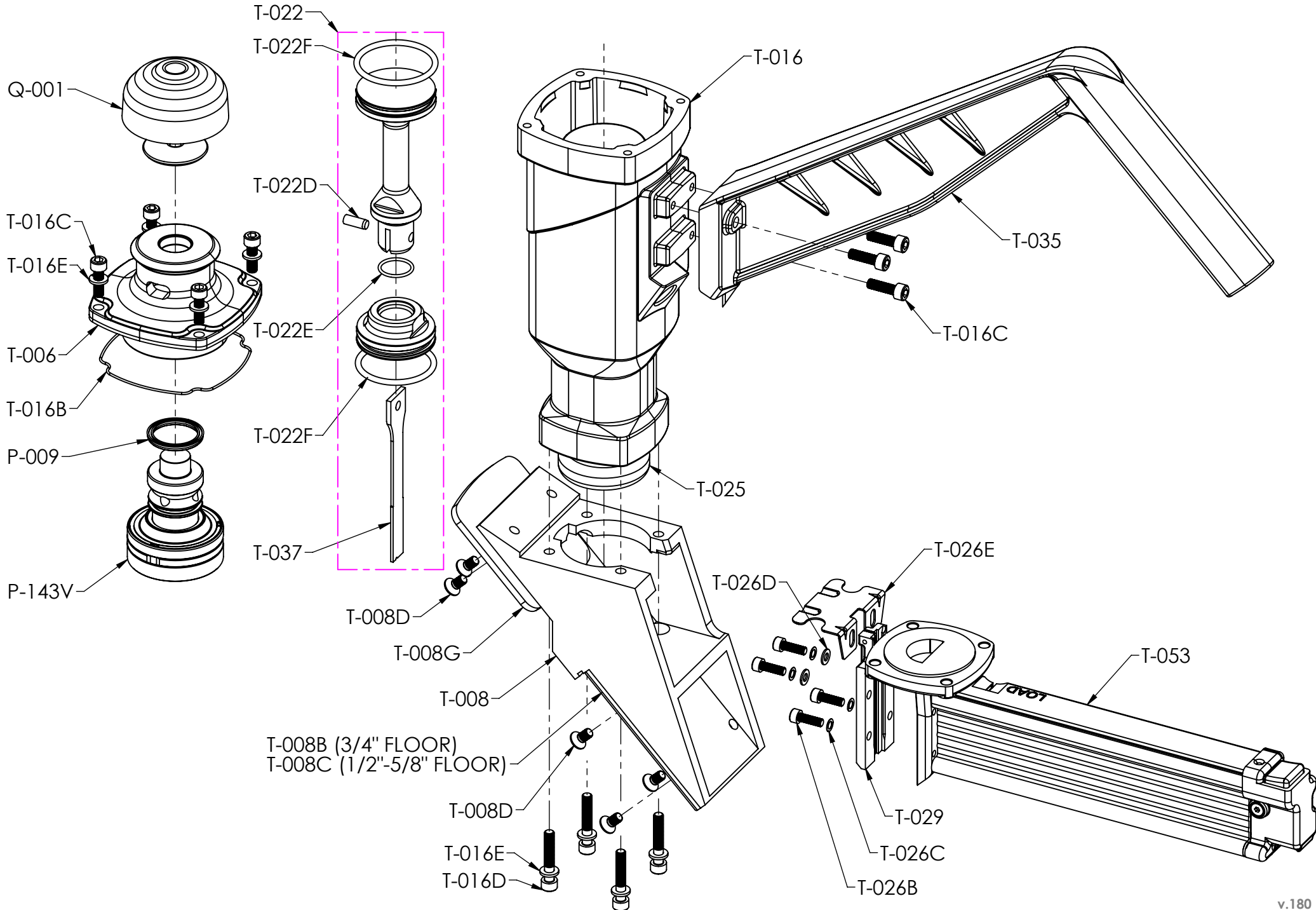


FNS-200





FNS-200

Part #	Description	Notes
H-084	Head cap	See Installation instructions.
P-009	Seal	
P-143V	Valve assembly	Complete with actuator.
P-080	Mallet	
Q-001	Head cap	
T-006	Head	
T-008	Base	
T-008B	Adaptor plate	For 3/4" flooring installation
T-008C	Adaptor plate	For 1/2" to 5/8" flooring installation
T-008D	Screw	
T-008G	Plate	
T-016	Main body	
T-016B	Head gasket	
T-016C	Screw	
T-016D	Screw	
T-016E	Lock washer	
T-022	Piston Assembly	Complete piston and blade
T-022A	Piston upper section	Not sold separately; order T-022
T-022B	Piston lower section	Not sold separately; order T-022
T-022D	Pin	
T-022E	O-ring	
T-022F	Piston o-ring	
T-025	Bumper	
T-026B	Screw	
T-026C	Lock washer	
T-026D	Washer	
T-026E	Deflector	
T-029	Gate plate	
T-035	Long handle	
T-037	Driving blade	Includes T-022D
T-053	Magazine	Complete magazine (includes T-029)