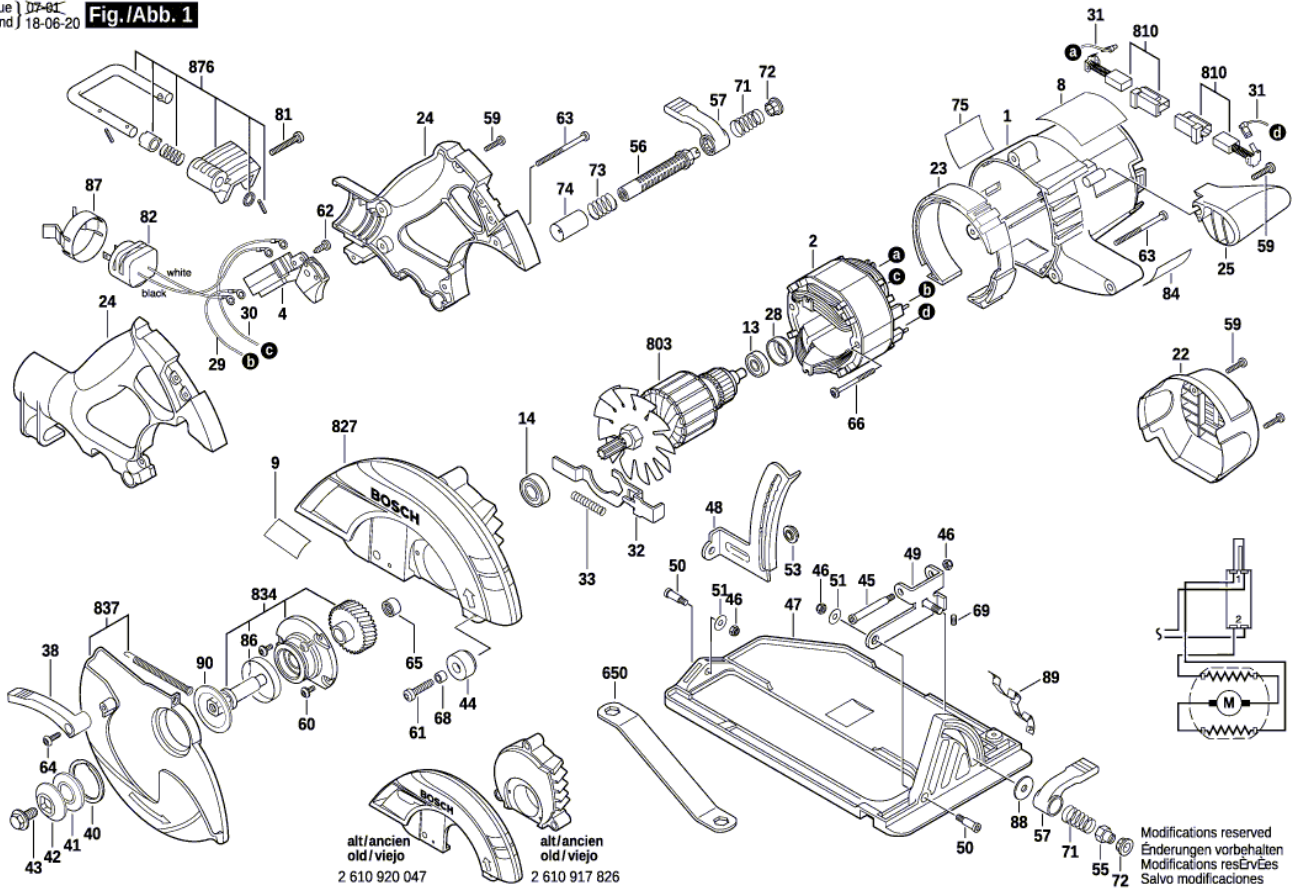




0 601 674 039  
Issue 1 07-01  
Stand 18-06-20

**Fig./Abb. 1**





Pos.	Part Number	Description	Pos.	Part Number	Description
1	2 610 917 049	Motor Housing	803	2 610 920 045	Dummy
2	1 619 P01 570	Field	810	1 619 X01 695	Carbon-Brush Set
4	2 610 919 466	Switch	827	2 610 934 339	Upper guard
8	2 610 919 561	Nameplate	834	2 610 920 048	Gear
9	2 610 920 293	Manufacturer's nameplate	837	1 619 P14 442	Lower guard
13	2 610 017 348	groove ball bearing	876	2 610 923 565	Hook
14	2 610 350 311	groove ball bearing			
22	2 610 917 052	Sealing cap			
23	2 610 924 448	Baffle			
24	2 610 917 058	Handle			
25	2 610 924 143	Auxiliary Handle			
28	1 619 P01 127	Rubber Ring			
29	2 610 038 934	Cable			
30	2 610 038 935	Cable			
31	2 610 918 148	Cable			
32	2 610 937 399	Locking Bolt			
33	1 619 P01 642	Compression Spring			
38	2 610 917 405	Lever			
40	2 610 921 144	Retaining snap ring			
41	2 610 919 164	Clamping-Flange			
42	1 619 X00 934	Washer			
43	1 619 X00 935	Hex Screw			
44	2 610 918 151	Bumper			
45	2 610 917 400	Shoulder Screw			
46	2 610 904 165	Self-locking nut			
47	2 610 917 059	Base Plate			
48	2 610 917 189	Support bracket			
49	2 610 924 350	Hinge			
50	2 610 917 399	Shoulder Screw			
51	2 610 917 048	Washer			
53	2 610 919 165	Special Washer			
55	2 610 917 206	Nut			
56	2 610 917 191	Rod			
57	2 610 924 368	Lever			
59	1 619 P01 505	Screw			
60	1 619 X07 057	Contact Screw			
61	2 610 920 385	Screw			
62	2 610 346 204	Screw			
63	2 610 968 438	Screw			
64	1 619 X06 749	Screw			
65	2 610 020 639	Needle-Roller Bearing			
66	1 619 P01 508	Screw			
68	2 610 918 985	Spacer Tube			
69	2 610 911 889	Set screw			
71	1 619 X01 792	Spring			
72	2 610 918 145	Cover			
73	2 610 919 467	Spring			
74	2 610 919 327	Cover Sleeve			
75	2 610 919 562	Warning Label			
81	2 610 312 548	Raised ctsk Tapping Screw			
82	2 610 918 154	Plug-In Socket			
84	2 610 918 924	Label			
86	2 610 920 799	Cover Sleeve			
87	2 610 920 384	Retaining ring			
88	1 619 X00 942	Washer			
89	2 610 921 770	Stop Spring			
90	1 619 X01 766	Wear Plate			
650	1 619 X01 144	Wrench Socket			