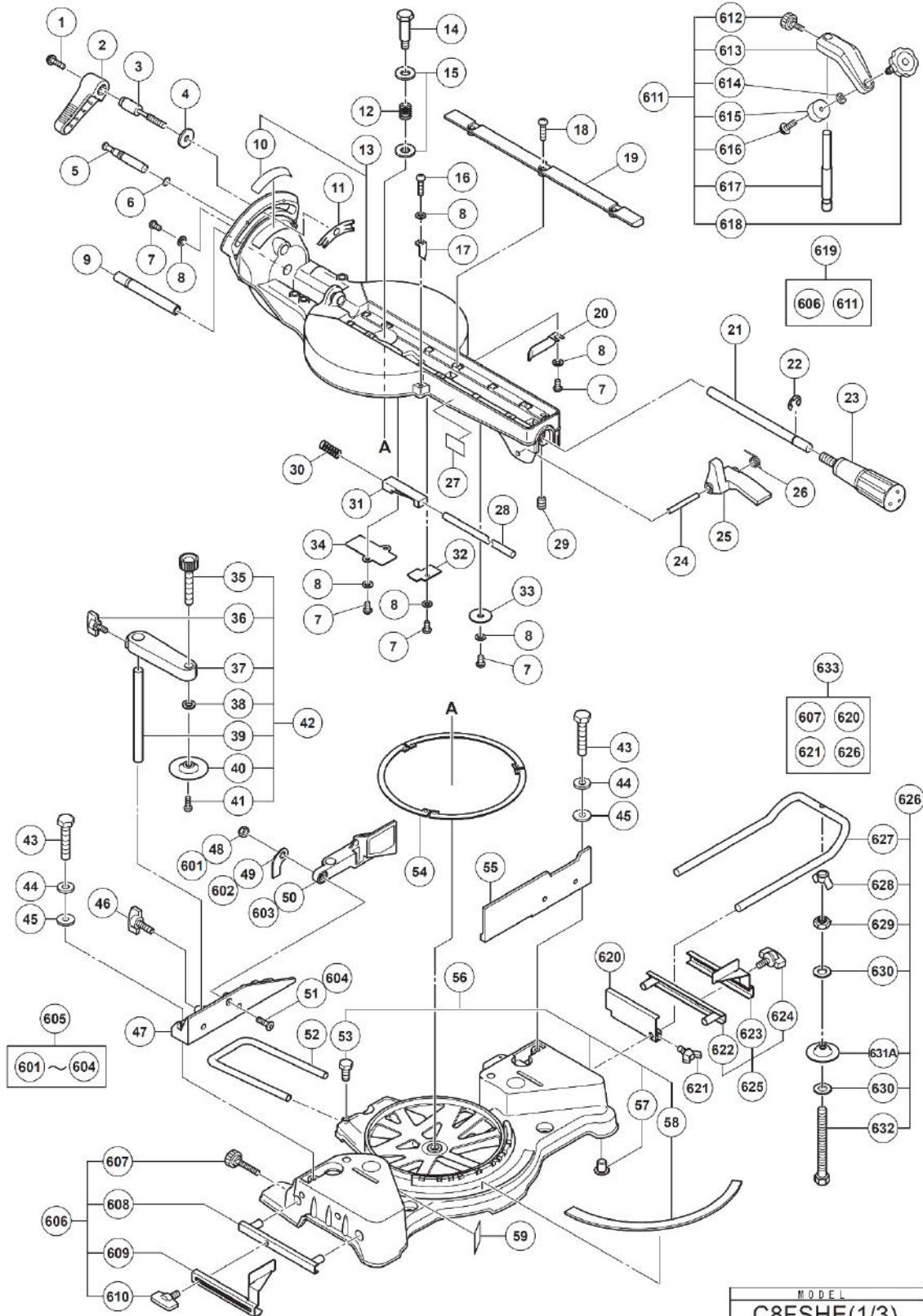
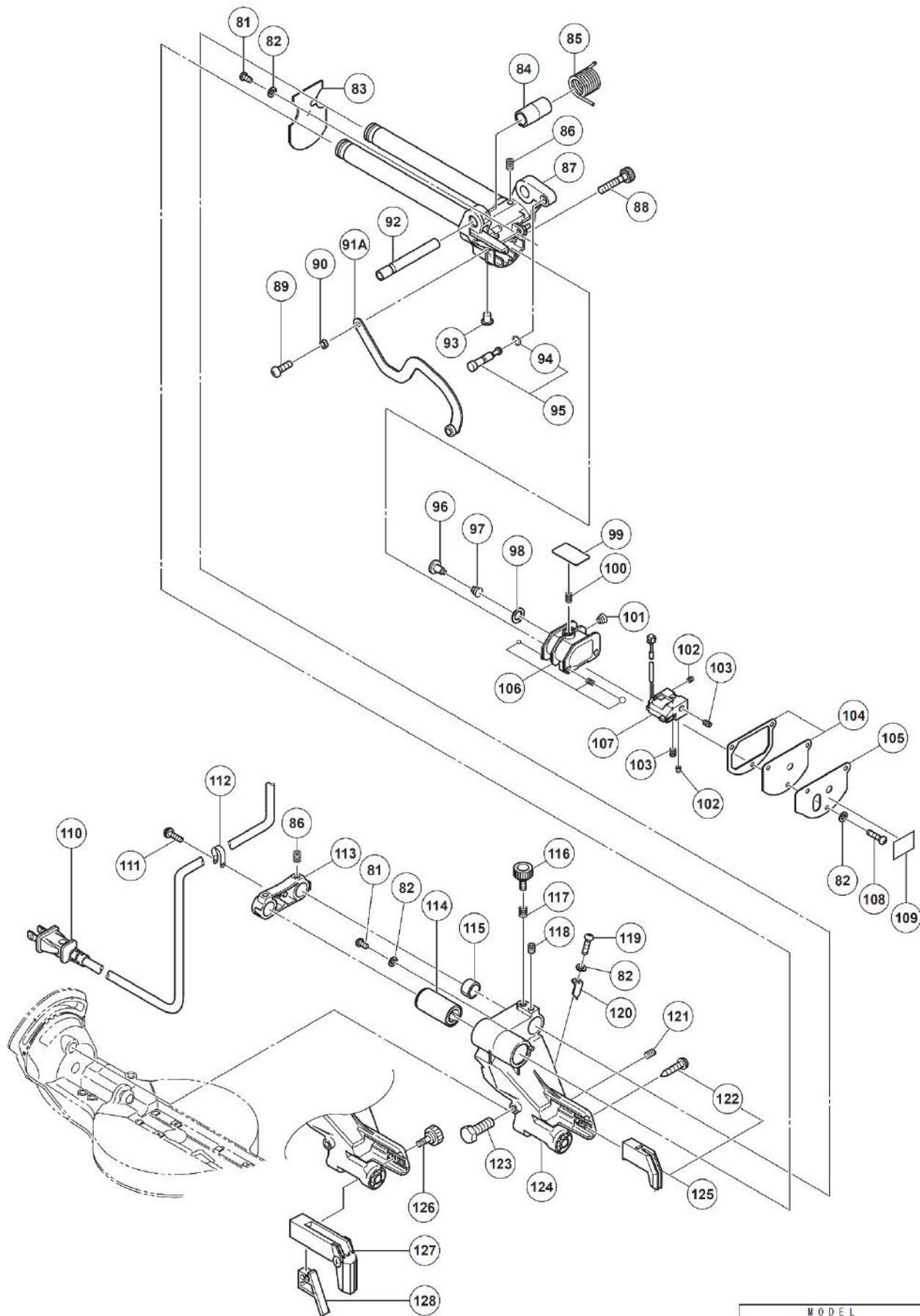


ELECTRIC TOOL PARTS LIST

■ SLIDE COMPOUND MITER SAW
Model C 8FSHE / S

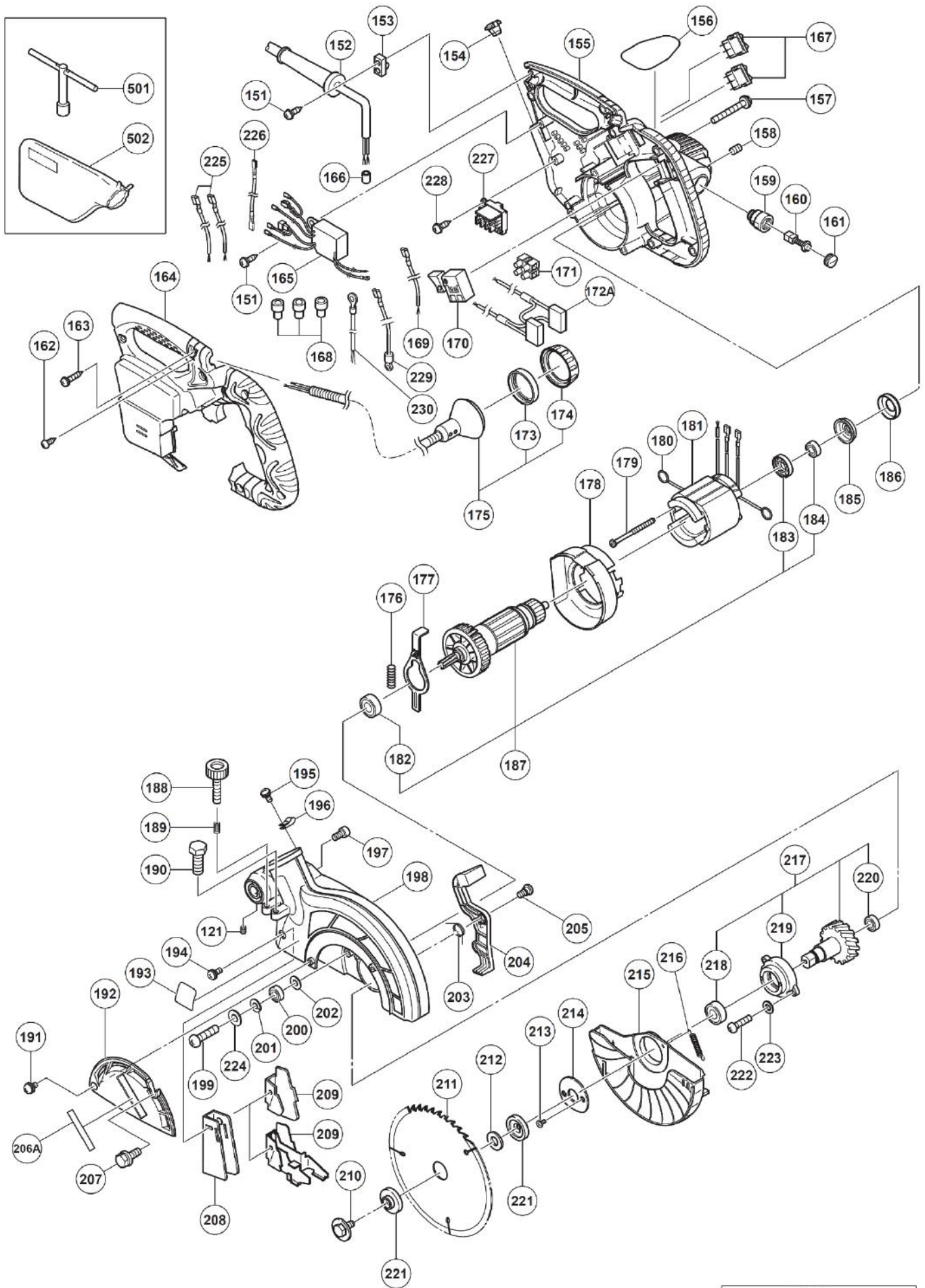
2019 • 06 • 20
(E1a)





Rev.4

MODEL
C8FSHE(2/3)



PARTS

C8FSHE / S

ITEM NO.	CODE NO.	DESCRIPTION	NO. USED	REMARKS
1	935196	MACHINE SCREW (W/WASHERS) M4X12 (BLACK)	1	
2	312488	CLAMP LEVER	1	
3	329409	BOLT (LEFT HAND) D10	1	
4	965077	SPECIAL WASHER	1	
5	325028	SET PIN	1	
6	996407	O-RING (1AP-12)	1	
7	949215	MACHINE SCREW M4X8 (10 PCS.)	5	
*7	949215	MACHINE SCREW M4X8 (10 PCS.)	7	SINCE 01.2019 FOR USA.CAN.MODEL(S)
8	949429	BOLT WASHER M4 (10 PCS.)	6	
*8	949429	BOLT WASHER M4 (10 PCS.)	8	SINCE 01.2019 FOR USA.CAN.MODEL(S)
9	320141	HINGE SHAFT (A)	1	
10	329417	SCALE (B)	1	
11	329408	LINER (A)	1	
12	312481	SPRING	1	
13A	329422	TURN TABLE ASS'Y	1	INCLUD.10
14	329418	SHAFT (B)	1	
15	949437	BOLT WASHER M12 (10 PCS.)	2	
16	949217	MACHINE SCREW M4X12 (10 PCS.)	1	
17	321329	INDICATOR	1	
18	949256	MACHINE SCREW M6X16 (10 PCS.)	6	
19	329421	TABLE INSERT	2	
20	321342	SPACER (A)	1	
21	329416	SHAFT (A)	1	
22	673489	RETAINING RING (E-TYPE) FOR D5 SHAFT	1	
23	322283	SIDE HANDLE	1	
24	321339	LEVER SHAFT	1	
25	321338	LEVER	1	
26	321340	SPRING (D)	1	
27		CAUTION LABEL (D)	1	
27		CAUTION LABEL (C)	1	
28	329415	SHAFT (C)	1	
29	987860	SEAL LOCK HEX. SOCKET SET SCREW M6X6	1	
30	321417	SPRING (E)	1	
31	322280	STOPPER (A)	1	
32	324395	COVER (B)	1	
33	875249	THRUST WASHER	1	
34	321336	PIN COVER	1	
35	302522	KNOB BOLT M10X66	1	
36	301806	WING BOLT M6X15	1	
37		SCREW HOLDER	1	
38	949432	BOLT WASHER M6 (10 PCS.)	1	
39	329859	WISE SHAFT	1	
40	302532	WISE PLATE	1	
41	949216	MACHINE SCREW M4X10 (10 PCS.)	1	
42	329860	WISE ASS'Y	1	INCLUD.35-41
43	949678	BOLT M8X35 (10 PCS.)	4	
44	949457	SPRING WASHER M8 (10 PCS.)	4	
45	949433	BOLT WASHER M8 (10 PCS.)	4	
46	307937	WING BOLT (A)	1	
47	329420	FENCE (B)	1	
48	963837	NYLON NUT M6	1	FOR USA.CAN.EUROPE.MODEL (S)
49	329465	PLATE	1	FOR USA.CAN.EUROPE.MODEL (S)
50	330138	SUB FENCE	1	FOR USA.CAN.EUROPE.MODEL (S)
51	949342	FLAT HD. SCREW M6X25 (10 PCS.)	1	FOR USA.CAN.EUROPE.MODEL (S)
52	998844	HOLDER	1	
53	949610	BOLT M6X10 (10 PCS.)	1	
54	324400	LINER	3	
55	329419	FENCE (A)	1	TILL 12.2018 FOR USA.CAN
55A	375128	FENCE (A)	1	SINCE 01.2019 FOR USA.CAN.MODEL(S)
56	329414	BASE ASS'Y	1	INCLUD.53.57.58 EXCEPT FOR USA.CAN. MODEL(S)
56A	375127	BASE ASS'Y	1	INCLUD.53.57.58.236 FOR USA.CAN.MODEL(S)
57	323606	BASE RUBBER	4	
58	315210	SCALE (A)	1	
59		CAUTION LABEL (A)	1	

PARTS

C8FSHE / S

ITEM NO.	CODE NO.	DESCRIPTION	NO. USED	REMARKS
81	949215	MACHINE SCREW M4X8 (10 PCS.)	2	
82	949429	BOLT WASHER M4 (10 PCS.)	6	
83	329491	COVER	1	
84	322889	SLEEVE	1	
85	329410	SPRING	1	
86	961554	HEX. SOCKET SET SCREW M8X10	4	
87	329427	HINGE (A) ASS'Y	1	INCLUD.86.113
88	319270	ADJUSTER	1	
89	949237	MACHINE SCREW M5X12 (10 PCS.)	1	
90	998980	SPACER	1	
91A	329411	LINK	1	
92	320141	HINGE SHAFT (A)	1	
93	323606	BASE RUBBER	1	
94	984528	O-RING (P-6)	1	
95	302518	STOPPER PIN ASS'Y	1	INCLUD.94
96	305180	CLUTCH SCREW	1	
97	305179	CLUTCH SPRING	1	
98	962614	ADJUSTING WASHER (B) T0.5	1	
99	319268	PLATE (B)	1	
100	319267	SPRING	1	
101	305179	CLUTCH SPRING	1	
102	319267	SPRING	2	
103	319541	SEAL LOCK HEX. SOCKET SET SCREW M5X6	2	
104	319271	COVER (A)	1	
105	322291	PLATE (A)	1	
106	319269	HOLDER (B)	1	
107	329863	LASER MARKER	1	
108	949217	MACHINE SCREW M4X12 (10 PCS.)	3	
109		CAUTION LABEL (J)	1	
110	500234Z	CORD	1	(CORD ARMOR D10.1)
*110	500434Z	CORD	1	(CORD ARMOR D10.1) FOR USA.CAN
111	935196	MACHINE SCREW (W/WASHERS) M4X12 (BLACK)	1	
*112	948614	NYLON CLIP	1	
*112	948193	NYLON CLIP	1	FOR USA.CAN.FIN.DEN.SWE.NOR.MODEL (S)
113	329492	SUPPORT	1	
114	329424	BALL BUSHING	1	
115	326141	BUSHING	1	
116	324418	KNOB BOLT M6X25	1	
117	947859	LOCK SPRING	1	
118	307956	SEAL LOCK HEX. SOCKET SET SCREW M6X10	1	
119	949217	MACHINE SCREW M4X12 (10 PCS.)	1	
120	321329	INDICATOR	1	
121	301575	HEX. SOCKET SET SCREW M6X8	2	
122	305558	TAPPING SCREW (W/FLANGE) D5X25 (BLACK)	1	EXCEPT FOR EUROPE.MODEL (S)
123	303409	NYLOCK BOLT M8X25	2	
124	329428	HOLDER (A)	1	
*125	324372	GUARD ASS'Y	1	TILL 12.2018 FOR USA.CAN
126	998879	KNOB BOLT	1	(SINCE 01.2019 FOR USA.CAN.MODEL(S))
127	321333	GUARD (A)	1	(SINCE 01.2019 FOR USA.CAN.MODEL(S))
128	321394	GUARD HOLDER	1	(SINCE 01.2019 FOR USA.CAN.MODEL(S))
151	984750	TAPPING SCREW (W/FLANGE) D4X16	3	
152	938051	CORD ARMOR D10.1	1	
153	937631	CORD CLIP	1	
154	319349	CORD BUSH	1	
155	329490	HOUSING ASS'Y	1	INCLUD.158.159
156		NAME PLATE	1	
157	322123	MACHINE SCREW (W/WASHERS) M5X40 (BLACK)	3	
158	938477	HEX. SOCKET SET SCREW M5X8	2	
159	957571	BRUSH HOLDER	2	
*160	999021	CARBON BRUSH (1 PAIR)	2	FOR USA.CAN
161	931266	BRUSH CAP	2	
162	303970	TAPPING SCREW (CLASS 2) D4X14	1	
163	301653	TAPPING SCREW (W/FLANGE) D4X20 (BLACK)	7	
164	329438	HANDLE COVER	1	TILL 12.2018 FOR USA.CAN
164A	375126	HANDLE COVER	1	SINCE 01.2019 FOR USA.CAN.MODEL(S)

PARTS

C8FSHE / S

ITEM NO.	CODE NO.	DESCRIPTION	NO. USED	REMARKS
*165	329488	SWITCHING POWER SUPPLY ASS'Y	1	
*165	329487	SWITCHING POWER SUPPLY ASS'Y	1	FOR USA.CAN
*165	336581	SWITCHING POWER SUPPLY	1	FOR MODEL (S)
166	324518	FERRITE CORE	1	FOR EUROPE.AUS.INA.MODEL (S)
167	319503	SWITCH (W/COVER)	2	
168	959141	CONNECTOR 50092 (10 PCS.)	3	FOR USA.CAN
*169	329461	INTERNAL WIRE (G)	1	
*169	329430	INTERNAL WIRE (G)	1	FOR USA.CAN
170	324424	SWITCH (3P FASTON TYPE) W/O LOCK	1	TILL 12.2018 FOR USA.CAN
170A	375115	SWITCH (3P FASTON TYPE) W/ LOCK	1	SINCE 01.2019 FOR USA.CAN.MODEL(S)
171	958308Z	PILLAR TERMINAL (A)	1	EXCEPT FOR USA.CAN
172A	336582	NOISE SUPPRESSOR	1	FOR EUROPE.AUS.INA.MODEL (S)
173	329821	CLEAR COVER	1	
174	322375	CAP (A)	1	
175	329489	LIGHT (H) ASS'Y	1	INCLUD.173.174
176	323433	SPRING	1	
177	323432	LOCK LEVER	1	
178	329436	FAN GUIDE	1	
179	960108	HEX. HD. TAPPING SCREW D4X60	2	
180	931867	BRUSH TERMINAL	2	
*181	340729D	STATOR ASS'Y 120V	1	INCLUD.180
182	6000VV	BALL BEARING 6000VVCMP2L	1	
183	315877	DUST SEAL	1	
184	608VVM	BALL BEARING 608VVC2PS2L	1	
185	322089	BEARING BUSHING	1	
186	322090	RUBBER BUSHING	1	
*187	360839U	ARMATURE ASS'Y 110V-120V	1	INCLUD.182-184
188	961468	KNOB BOLT M6X37	1	
189	988821	LOCK SPRING	1	
190	303409	NYLOCK BOLT M8X25	1	
191	996274	MACHINE SCREW (W/WASHERS) M5X8	1	
192	329425	SPINDLE COVER	1	
193		WARNING LABEL (A)	1	FOR USA.CAN
194	935196	MACHINE SCREW (W/WASHERS) M4X12 (BLACK)	1	
195	935196	MACHINE SCREW (W/WASHERS) M4X12 (BLACK)	1	
196	980523	NYLON CLIP	1	
197	877839	SEAL LOCK HEX. SOCKET HD. BOLT M5X10	1	
198	329431	GEAR CASE	1	
199	949260	MACHINE SCREW M6X25 (10 PCS.)	1	
200	606ZZM	BALL BEARING 606VV	1	
201	949455	SPRING WASHER M6 (10 PCS.)	1	
202	949425	WASHER M6 (10 PCS.)	1	
203	329463	LOCK LEVER SPRING	1	FOR EUROPE.AUS.MODEL (S)
204	329462	LOCK LEVER	1	FOR EUROPE.AUS.MODEL (S)
205	322950	SPECIAL SCREW M6	1	FOR EUROPE.AUS.MODEL (S)
206	328922	BRAND PLATE	1	
207	308259	BOLT (W/WASHERS) M6X16 (BLACK)	1	
208	321364	DUST GUIDE	1	
209	312492	GUIDE HOLDER	1	
*209	335780	GUIDE HOLDER	1	FOR EUROPE.MODEL (S)
210	998335	BOLT (LEFT HAND) W/WASHER M7X17.5	1	
211		TCT SAW BLADE 216MM-D15.88 HOLE-NT24	1	
211		TCT SAW BLADE 216MM-D25.4 HOLE-NT24	1	
211		TCT SAW BLADE 216MM-D30 HOLE-NT24	1	
*212	974663Z	COLLAR (A) FOR D30 HOLE	1	FOR EUROPE.AUS.MODEL (S)
*212	976819	COLLAR (B) FOR D25.4 HOLE	1	EXCEPT FOR EUROPE.AUS.U.S.A.CAN.MODEL (S)
213	949322	FLAT HD. SCREW M4X10 (10 PCS.)	2	
214	307731	COVER	1	
215	329412	LOWER GUARD	1	
216	317203	RETURN SPRING	1	EXCEPT FOR USA.CAN.MODEL(S)
216A	375131	RETURN SPRING	1	FOR USA.CAN.MODEL(S)
217	329432	SPINDLE ASS'Y	1	INCLUD.218-220
218	327694	BALL BEARING 6003VVC (NYLON RETAINER)	1	
219	329435	BEARING HOLDER	1	
220	608VVM	BALL BEARING 608VVC2PS2L	1	

