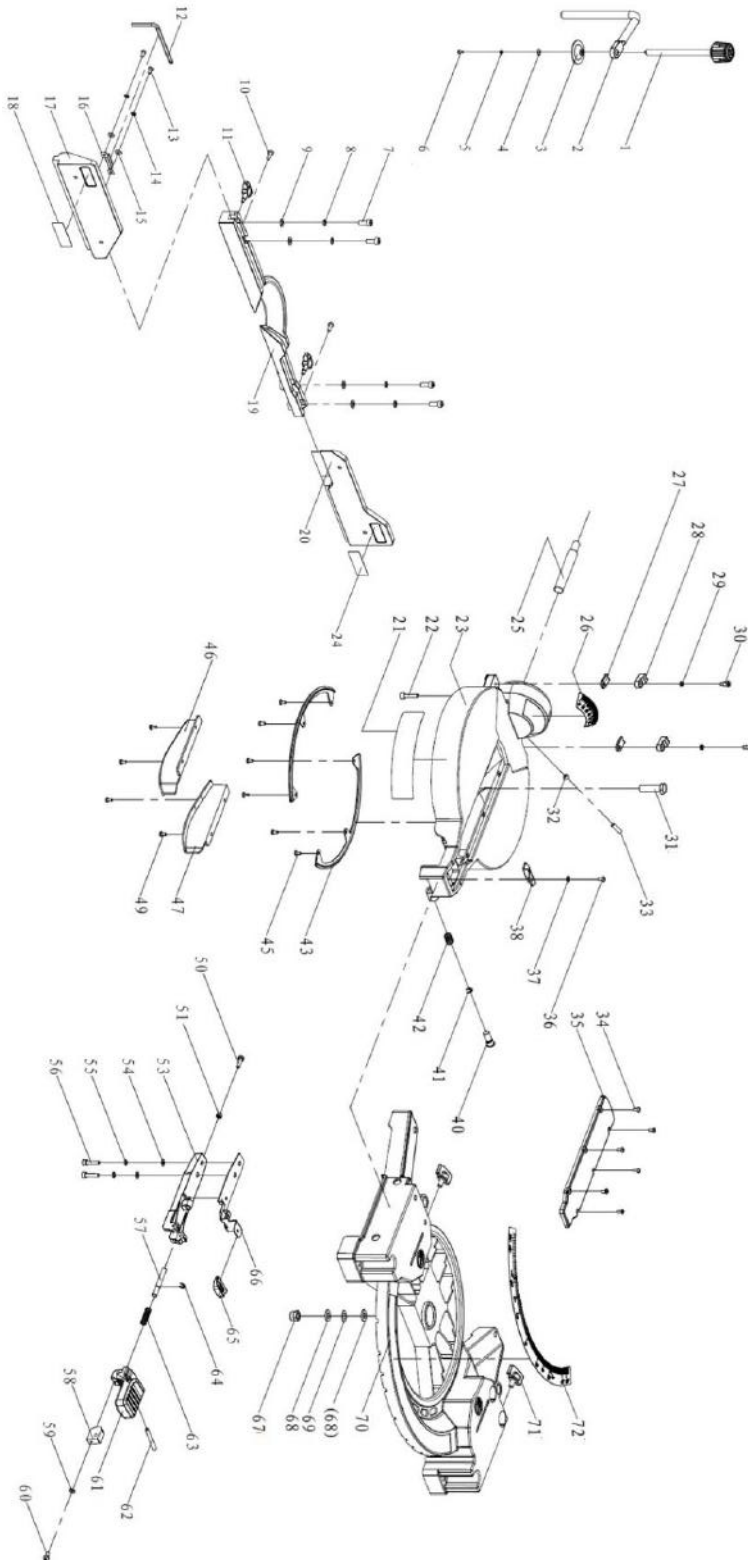
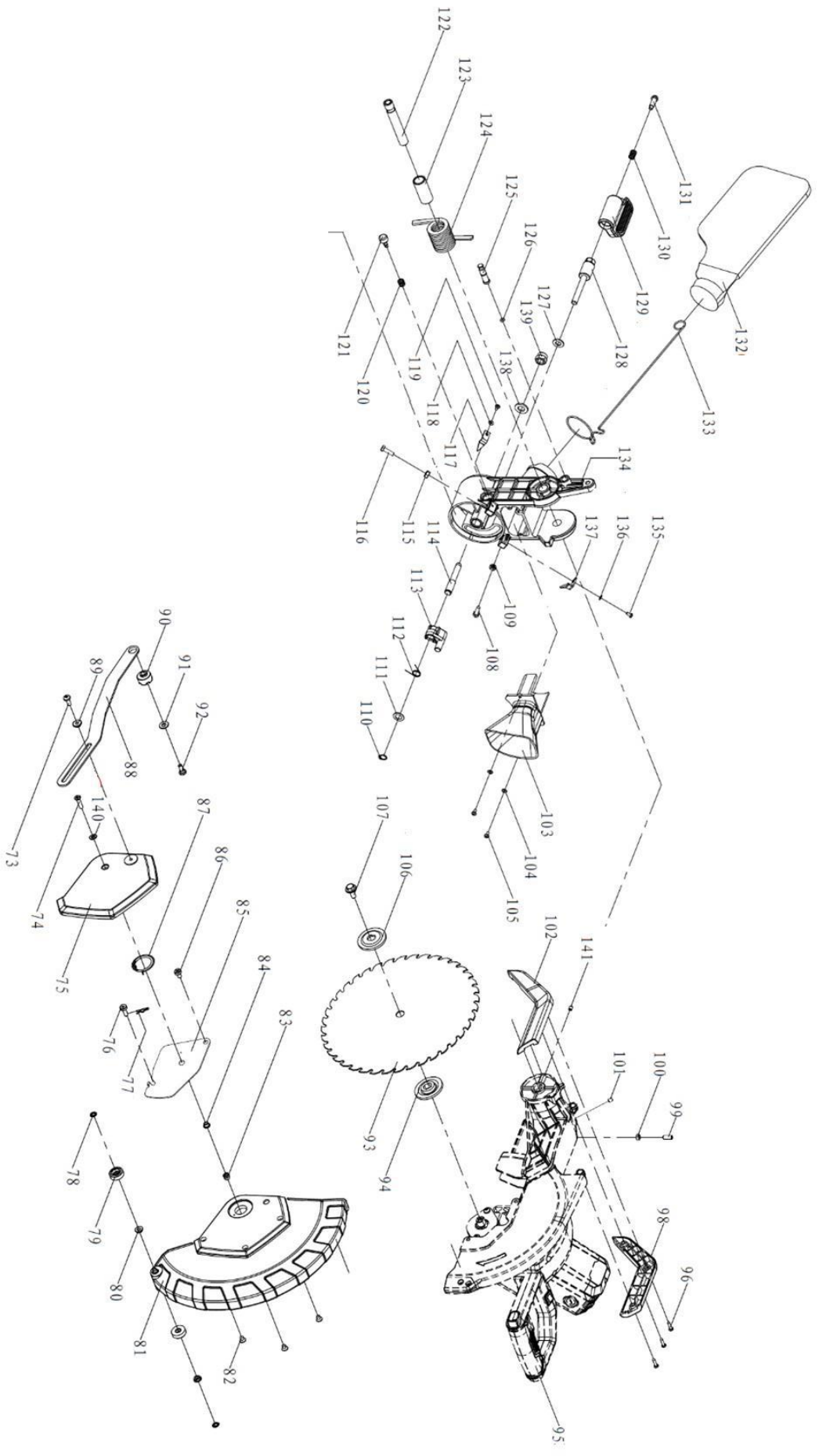


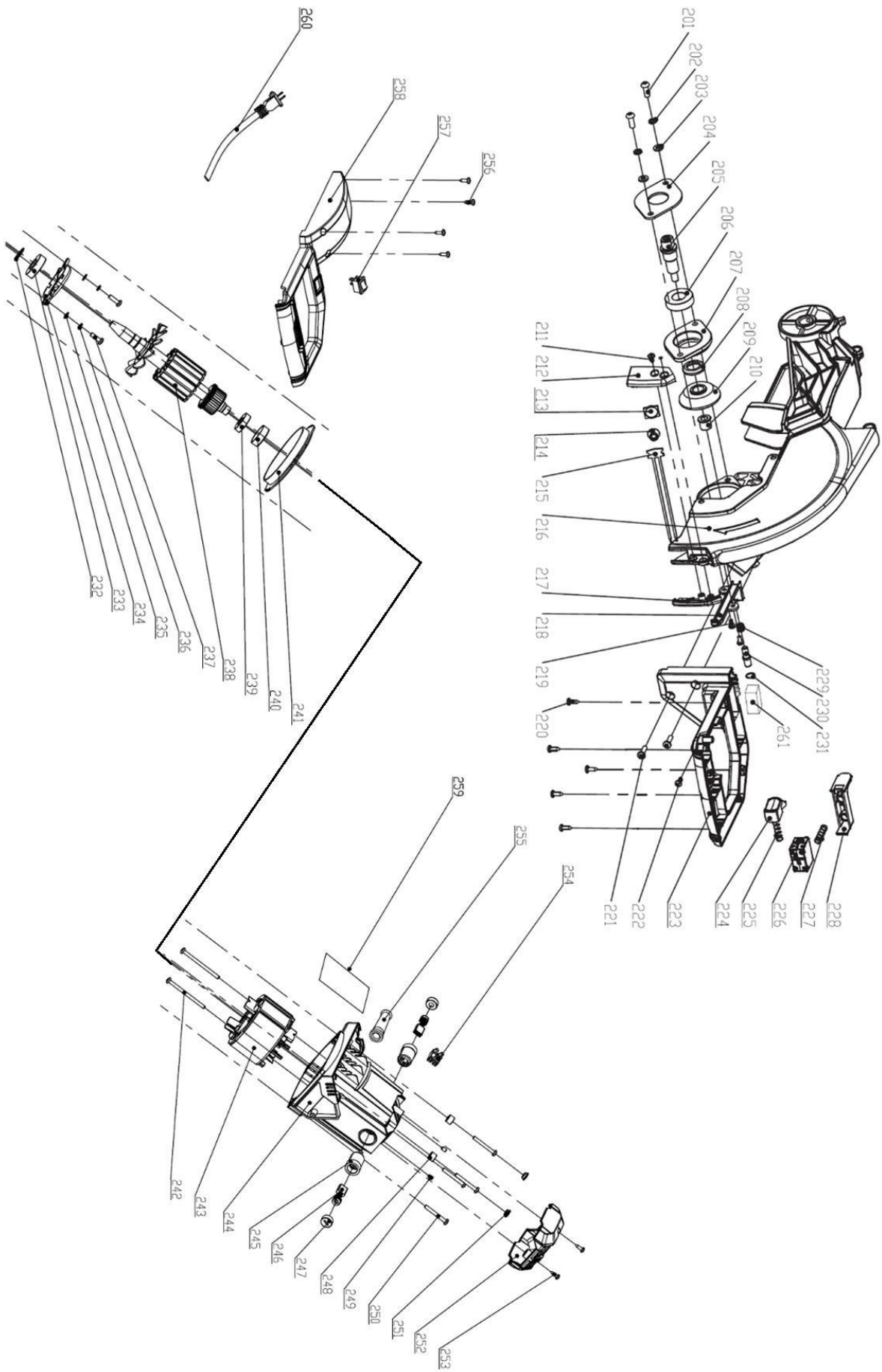
ELECTRIC TOOL PARTS LIST

DUAL COMPOUND MITER SAW
Model C 12FDHB

2021 • 05 • 25
(E1)







PARTS

C12FDHB

ITEM NO.	CODE NO.	DESCRIPTION	NO. USED	REMARKS
1	377481	pressing knob assembly	1	
2	377482	Pressing connecting rod	1	
3	377483	Pressing splint	1	
4	377484	Big flat washer	1	
5	377485	Spring washer	1	
6	377486	Cross recessed pan head screws	1	
7	377487	Hexagon socket cap screw	4	
8	377488	Spring washer	4	
9	377489	Flat washer	4	
10	377490	Cross recessed pan head screw	2	
11	377491	Rip fence knob assembly	2	
12	377492	Wrench	1	
13	377493	Cross recessed pan head screws	2	
14	377494	Spring washer	2	
15	377495	Flat washer	2	
16	377496	Wrench card	1	
17	377497	Left vice rip fence	1	
18	377498	Vic rip fence label	1	
19	377499	Rip fence	1	
20	377500	Right vice rip fence	1	
21	377501	Work-table label(left)	1	
22	377502	Hexagon socket cap screws	1	
23	377503	Worktable	1	
24	377498	Vic rip fence label	1	
25	377504	Connecting shaft	1	
26	377505	Worktable scale sign	1	
27	377506	Angle position block(A)	2	
28	377507	Angle position block(B)	2	
29	377508	Angle position block spring	2	
30	377509	Angle position screw	2	
31	377510	Hexagon head bolt	1	
32	377511	Anti-loosen ring	1	
33	377512	Hexagon socket set screw with flat point	1	
34	377486	Cross recessed pan head screws	6	
35	377513	Table insert	1	
36	377486	Cross recessed pan head screws	1	
37	377514	Flat washer	1	
38	377515	Worktable point	1	
40	377516	Position latch	1	
41	377517	Split ring	1	
42	377518	Worktable lock spring(A)	1	
43	377519	Friction pad	2	
45	377486	Cross recessed pan head screws	6	
46	377520	Lower protection plate(right)	1	
47	377521	Lower protection plate(left)	1	
49	377486	Cross recessed pan head screws	4	
50	377522	Hexagon head bolt	1	
51	377523	Hex nut	1	
53	377524	Fixd holder	1	
54	377525	Flat washer	2	
55	377526	Spring washer	2	
56	377527	Hexagon socket cap screws	2	
57	377528	Worktable lock shaft	1	
58	377529	Cam	1	
59	377530	Flat washer	1	
60	377493	Cross recessed pan head screws	1	
61	377531	Handle	1	
62	377532	Cylindrical pin	1	
63	377533	Worktable lock spring(B)	1	
64	377534	Split ring	1	
65	377535	Position plate button	1	
66	377536	Angle position plate	1	
67	377537	Hex lock nut	1	

PARTS

C12FDHB

ITEM NO.	CODE NO.	DESCRIPTION	NO. USED	REMARKS
68	377538	Flat washer	2	
69	377539	Saddle washer	1	
70	377540	Base	1	
71	377541	Pressing rod knob	2	
72	377542	Base scale sign	1	
73	377543	Cross recess pan head screw	1	
74	377544	Cross recess pan head screw	1	
75	377545M	Blade guard fixing plate(B)	1	
76	377546	Blade guard fixing plate screw(B)	1	
77	377547	Spring pin(A)	1	
78	377548	Tooth washer	2	
79	377549	Wheel	2	
80	377550	Wheel bushing	2	
81	377551	Blade guard	1	
82	377552	Cross reseeded countersunk head screw	3	
83	377553	Hex lock nut	1	
84	377554	Blade guard fixing sleeve	1	
85	377555	Blade guard fixing plate(A)	1	
86	377556	Blade guard fixing plate screw	1	
87	377557	Blade guard spring	1	
88	377558	Connect rod	1	
89	377559	Connect rod spacer	1	
90	377560	Head-up limit block	1	
91	377489	Flat washer	1	
92	377487	Hexagon socket cap screw	1	
93	377326M	Blade	1	
94	377561	Blade inner splint	1	
95	377562	Motor assembly	1	
96	377563	Cross recessed pan head tapping screw	3	
98	377564	Handle (B)	1	
99	377565	Hexagon socket cap screws	1	
100	377511	Anti-loosen ring	1	
101	377566	Hexagon socket set screw with flat point	1	
102	377567	Handle (A)	1	
103	377568	Dust port	1	
104	377514	Flat washer	2	
105	377486	Cross recessed pan head screws	2	
106	377569	Blade splint	1	
107	377570	Blade screw	1	
108	377571	Hexagon socket cap screws	1	
109	377572	Hex nut	1	
110	377573	Elastic ring for shaft	1	
111	377574	Flat washer	1	
112	377575	90° limit block spring	1	
113	377576	90° limit block	1	
114	377577	90° limit axis	1	
115	377572	Hex nut	1	
116	377571	Hexagon socket cap screws	1	
117	377578	45° angle pointer	1	
118	377514	Flat washer	1	
119	377486	Cross recessed pan head screws	1	
120	377579	Angle adjusting spring	1	
121	377580	Limit handle	1	
122	377581	Rotation axis	1	
123	377582	Torsion spring bushing	1	
124	377583	Bevel torsion spring	1	
125	377584	Bevel bolt	1	
126	377585	O-ring	1	
127	377538	Flat washer	1	
128	377586	Locking bolt	1	
129	377587	Locking handle	1	
130	377588	Compress spring	1	
131	377589	Handle locking screw	1	
132	377590	Dust bag	1	

PARTS

C12FDHB

ITEM NO.	CODE NO.	DESCRIPTION	NO. USED	REMARKS
133	377591	Dust bag spring	1	
134	377592	Arm	1	
135	377486	Cross recessed pan head screws	1	
136	377514	Flat washer	1	
137	377578	45°angle pointer	1	
138	377593	Flat washer	1	
139	377594	Hex lock nut	1	
140	377525	Flat washer	1	
141	377595	Hexagon socket set screw with flat point	1	
201	377596	Hexagon socket flat head screws	2	
202	377526	Spring washer	2	
203	377525	Flat washer	2	
204	377597	Bearing baffle	1	
205	377598	Output shaft	1	
206	377599	Deep groove ball bearing	1	
207	377600	Gear cover	1	
208	377601	Gear spacer	1	
209	377602	Bevel gear	1	
210	377603	Oil bearing	1	
211	377604	Cross recessed pan head tapping screw	2	
212	377605	LED lamp cover(A)	1	
213	377606	LED lamp lens	1	
214	377607	LED lamp shade	1	
215	377608	LED lights	1	
216	377609	Trunnion	1	
217	377610	LED lamp cover (B)	1	
218	377611	Wire cover	1	
219	377612	Cross recessed pan head screws	2	
220	377613	Cross recessed pan head tapping screw	5	
221	377614	Cross recessed pan head screws	2	
222	377613	Cross recessed pan head tapping screw	1	
223	377615	Handle lower cover	1	
224	377616	Self-locking button	1	
225	377617	Safety button spring	1	
226	377618	Switch	1	
227	377617	Safety button spring	1	
228	377619	Switch button	1	
229	377620	Gear lock spring	1	
230	377621	Gear lock pin	1	
231	377622	Circlip	1	
232	377623	Washer on shaft	1	
233	377599	Deep groove ball bearing	1	
234	377624	Motor shaft pressing plate	1	
235	377625	Flat washer	2	
236	377494	Spring washer	2	
237	377614	Cross recessed pan head screws	2	
238	377626	Armature	1	
239	377627	Deep groove ball bearing	1	
240	377628	Damping ring	1	
241	377629	Windshield	1	
242	377630	Cross recessed pan head self-tightening screws	2	
243	377631	Stator	1	
244	377632	Motor housing	1	
245	377633	Brush holder	2	
246	377634	Carbon brush	2	
247	377635	Nut cap	2	
248	377636	Nut cap (A)	2	
249	377637	Hexagon socket set screws	2	
250	377638	Cross recessed pan head screws	4	
251	377639	Nut cap (B)	2	
252	377640	Motor back cover	1	
253	377613	Cross recessed pan head tapping screw	2	
254	377641	Terminal	1	

