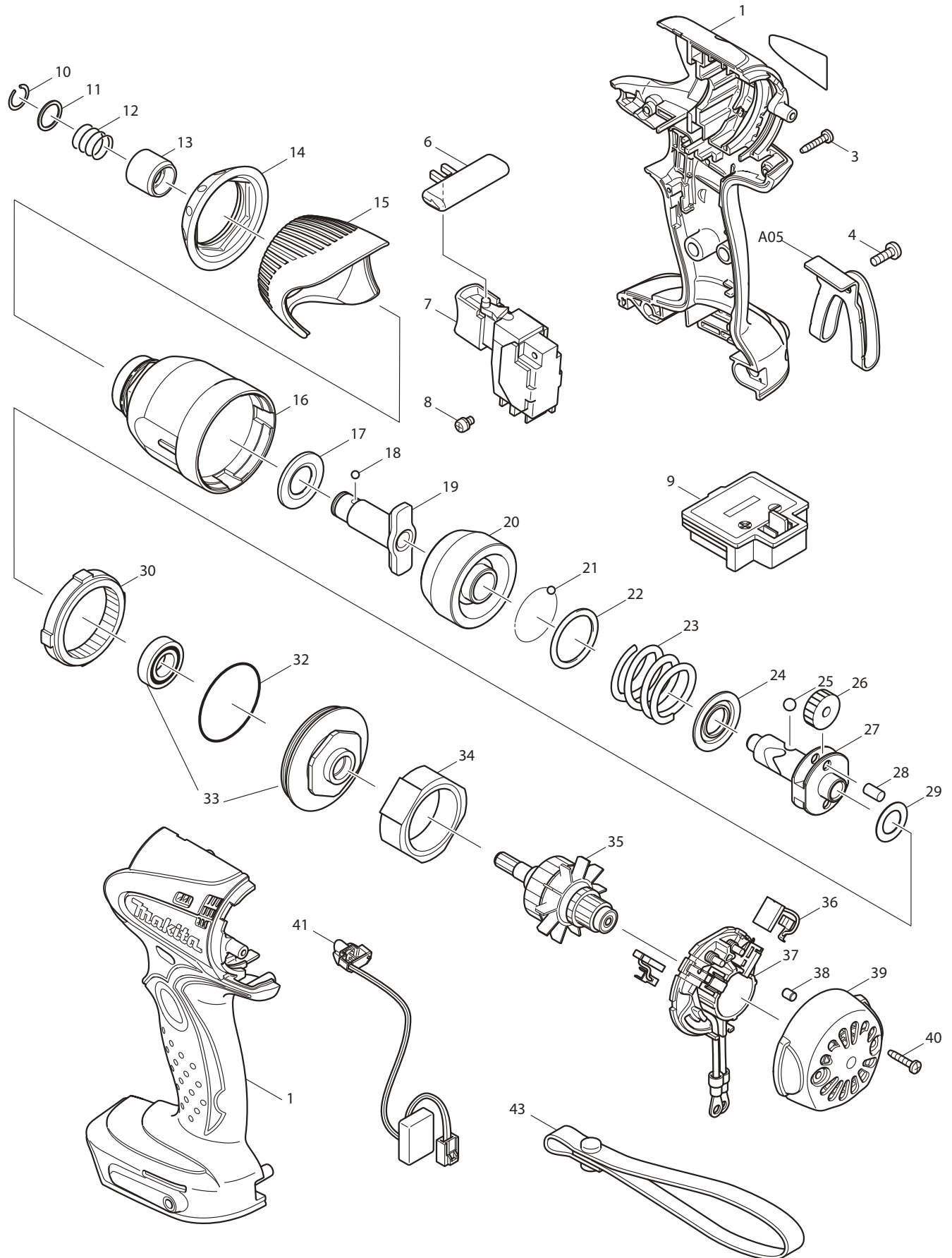




10 - 2010
14.4V IMPACT DRIVER
(BLUE) BTD130F, BTD130FZ
(WHITE) BTD130FSFEW



Item No	Type	Ref	Part No	Description	Qty	Unit
1			188257-4	HOUSING SET (WHITE) (OLD# 183965-2 - N/L/A)	1	PC.
			188255-8	HOUSING SET (BLUE) (OLD# 183966-0 - N/L/A)	1	PC.
3			266130-9	TAPPING SCREW BIND PT 3X16	8	PC.
4			251314-2	+ SCREW M4X12	1	PC.
6			419041-9	F/R CHANGE LEVER	1	PC.
7			650564-0	SWITCH TG553FSB-1	1	PC.
8			652045-0	+PAN HEAD SCREW M3.5X5	2	PC.
9			643811-6	TERMINAL	1	PC.
10			231951-8	RING SPRING 11	1	PC.
11			267085-1	FLAT WASHER 12	1	PC.
12			233005-7	COMPRESSION SPRING 13	1	PC.
13			324420-7	SLEEVE	1	PC.
14	1		421913-6	BUMPER - N/L/A	1	PC.
	2		424197-5	* BUMPER	1	PC.
	3		424370-7	* BUMPER	1	PC.
15	1		419042-7	* HAMMER CASE COVER (TYPE 1-2)	1	PC.
	3		452380-4	* HAMMER CASE COVER	1	PC.
16			154590-6	HAMMER CASE COMPLETE	1	PC.
17			261108-7	NYLON WASHER 14	1	PC.
18			216001-0	STEEL BALL 3.5	2	PC.
19			324432-0	ANVIL M	1	PC.
20			324583-9	HAMMER	1	PC.
21			216001-0	STEEL BALL 3.5	24	PC.
22			267175-0	FLAT WASHER 24	1	PC.
23			233430-2	COMPRESSION SPRING 24	1	PC.
24			267766-7	CUP WASHER 14	1	PC.
25			216011-7	STEEL BALL 5.6	2	PC.
26			226336-1	SPUR GEAR 22	2	PC.
27			324552-0	SPINDLE	1	PC.
28			256253-1	PIN 5	2	PC.
29			267212-0	FLAT WASHER 12	1	PC.
30			227150-8	INTERNAL GEAR 51	1	PC.
31			211140-1	BALL BEARING 6901LLB (Removed)	1	PC.
32			213507-9	O RING 40	1	PC.
33			154769-9	BEARING BOX COMPLETE	1	PC.
		INC.		Item No. 31	1	PC.
34			638396-5	YORK UNIT	1	PC.
35	1		619152-2	ARMATURE - N/L/A	1	PC.
	2		619244-7	ARMATURE	1	PC.
36	1		194427-5	* CARBON BRUSH CB-440, 2PCS/SET (W/O ORIGIN) - N/L/A	1	SET
	2		195021-6	* CARBON BRUSH CB-440, 2PCS/SET (W/ ORIGIN)	1	SET
37			638387-6	BRUSH HOLDER COMPLETE	1	PC.
38			263032-0	RUBBER PIN 4	2	PC.
39			418982-6	REAR COVER(WHITE)	1	PC.
39			418981-8	REAR COVER(BLUE)	1	PC.
40			266130-9	TAPPING SCREW BIND PT 3X16	2	PC.
41			631631-0	LIGHT CIRCUIT	1	PC.
ACCESSORIES			- See catalogue or visit www.makita.ca for more accessories information -			
A01	1		DC18RA	CHARGER DC18RA	1	PC.
	2		DC18RC	CHARGER DC18RC	1	PC.
			DC18SD	CHARGER DC18SD	1	PC.
			DC18SE	12V AUTOMOTIVE CHARGER DC18SE	1	PC.
			DC18RAKIT	CHARGER DC18RA + BATTERY BL1830 KIT	1	KIT
A02			194066-1	14.4V LI-ION BATTERY BL1430	2	PC.
			194397-8	14.4V LI-ION BATTERY BL1430, 2/PK	1	PK.

Item No	Type	Ref	Part No	Description	Qty	Unit
A03	1		824753-5	PLASTIC CARRYING CASE	1	PC.
		INC.	324207-7	SHAFT	1	PC.
		INC.	413098-2	PLATE	4	PC.
		INC.	417724-5	LATCH	2	PC.
		INC.	419215-2A	PLASTIC CASE LID, TAB TYPE (HOOK TYPE - N/L/A)	1	PC.
		INC.	419216-0	HANDLE	1	PC.
	2		141205-4	PLASTIC CASE COMPLETE F/DC18RC	1	PC.
		INC.	324207-7	SHAFT	1	PC.
		INC.	413098-2	PLATE	4	PC.
		INC.	417724-5	LATCH	2	PC.
		INC.	419215-2A	PLASTIC CASE LID, TAB TYPE (HOOK TYPE - N/L/A)	1	PC.
		INC.	419216-0	HANDLE	1	PC.
A04			450128-8	BATTERY COVER	1	PC.
A05	1		324705-1	HOOK (OLD# 324553-8 - N/L/A)	1	PC.
	2		346449-3	* HOOK F/ BL1430, BL1830	1	PC.
A06			194649-7	BATTERY PROTECTOR (F/ BL1430, BL1830)	1	PC.
A07			194250-8	3/8" KEYLESS DRILL CHUCK	1	PC.

SERVICE CHANGES

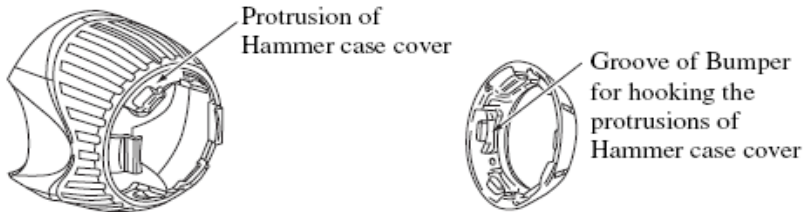
1. Changes on Hammer Case Cover and Bumper

Item No.	Description	Type 1	Type 2	Type 3
14	Bumper	421913-6	424197-5	424370-7
15	Hammer Case Cover	419042-7		452380-4

Above parts are completely interchangeable as a set.

Type1: Bumper is hooked with the grooves of Hammer case.

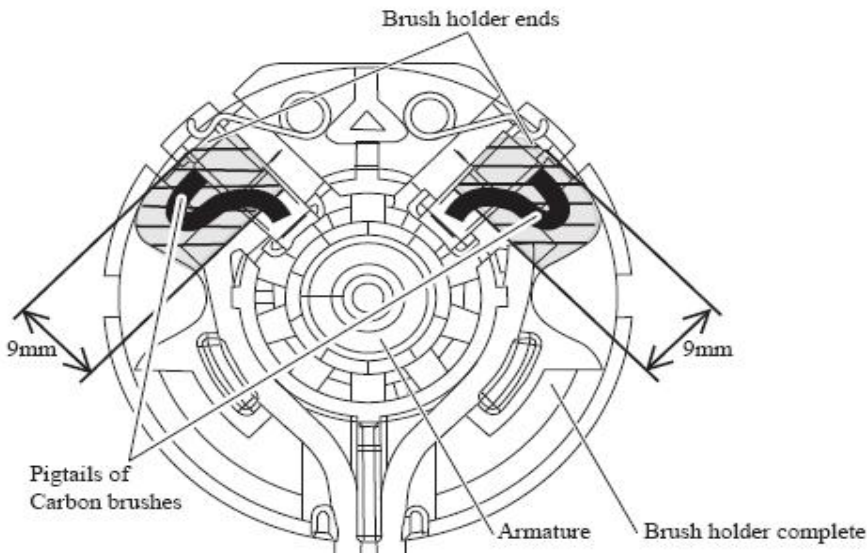
Type2: Bumper is hooked with the protrusions of Hammer case cover as illustrated below.



2. Changes How to Assemble Carbon Brushes

Item No.	Description	Type 1	Type 2
36	Carbon Brush	194427-5 (W/O ORIGIN)	195021-6 (W/ ORIGIN)

Do not protrude the pigtails of Carbon brushes from the specific spaces.
Refer to the following illustration.



3. Changes on Hook

Item No.	Description	Type 1	Type 2
A05	Hook	324705-1	346449-3

