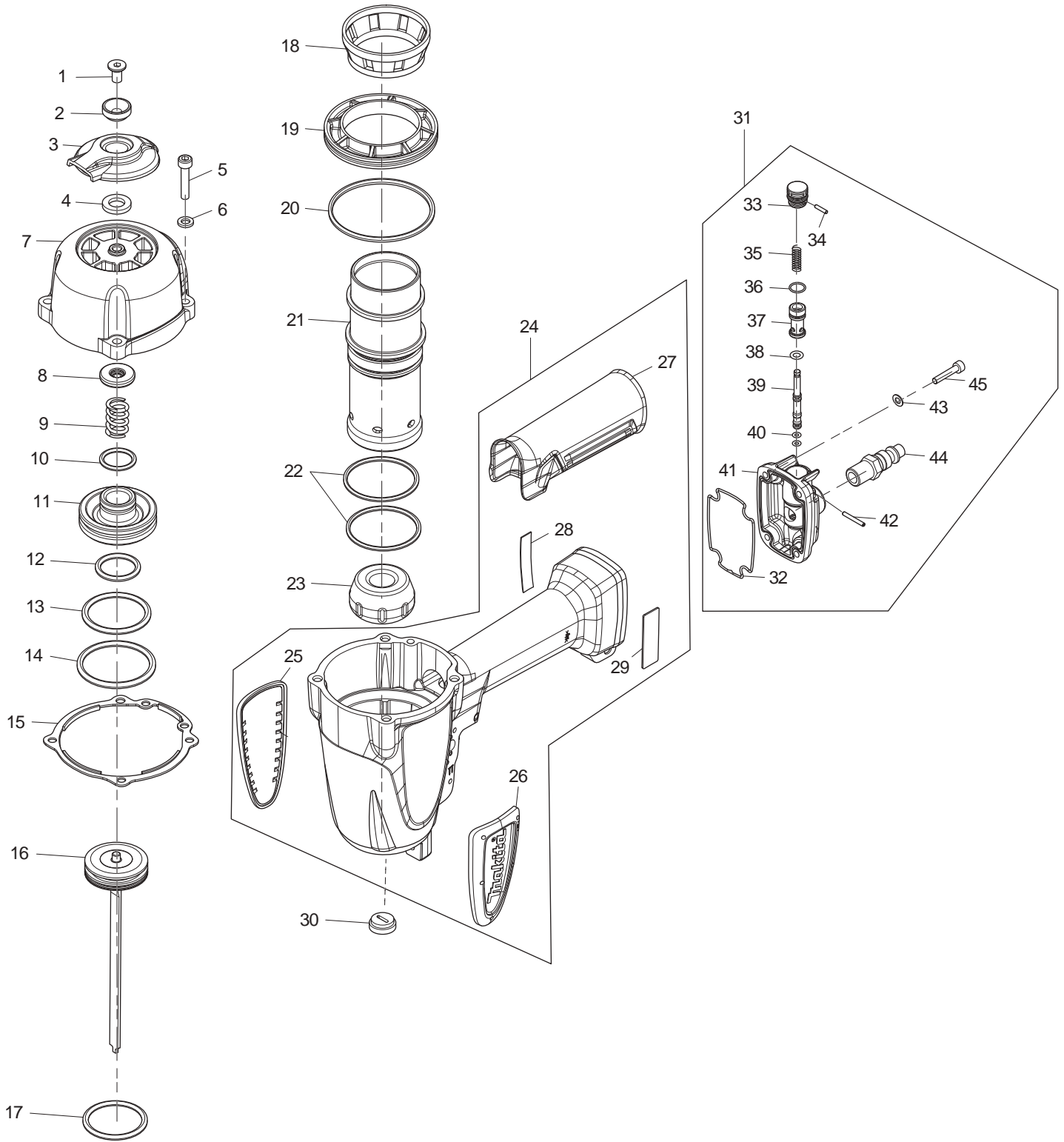
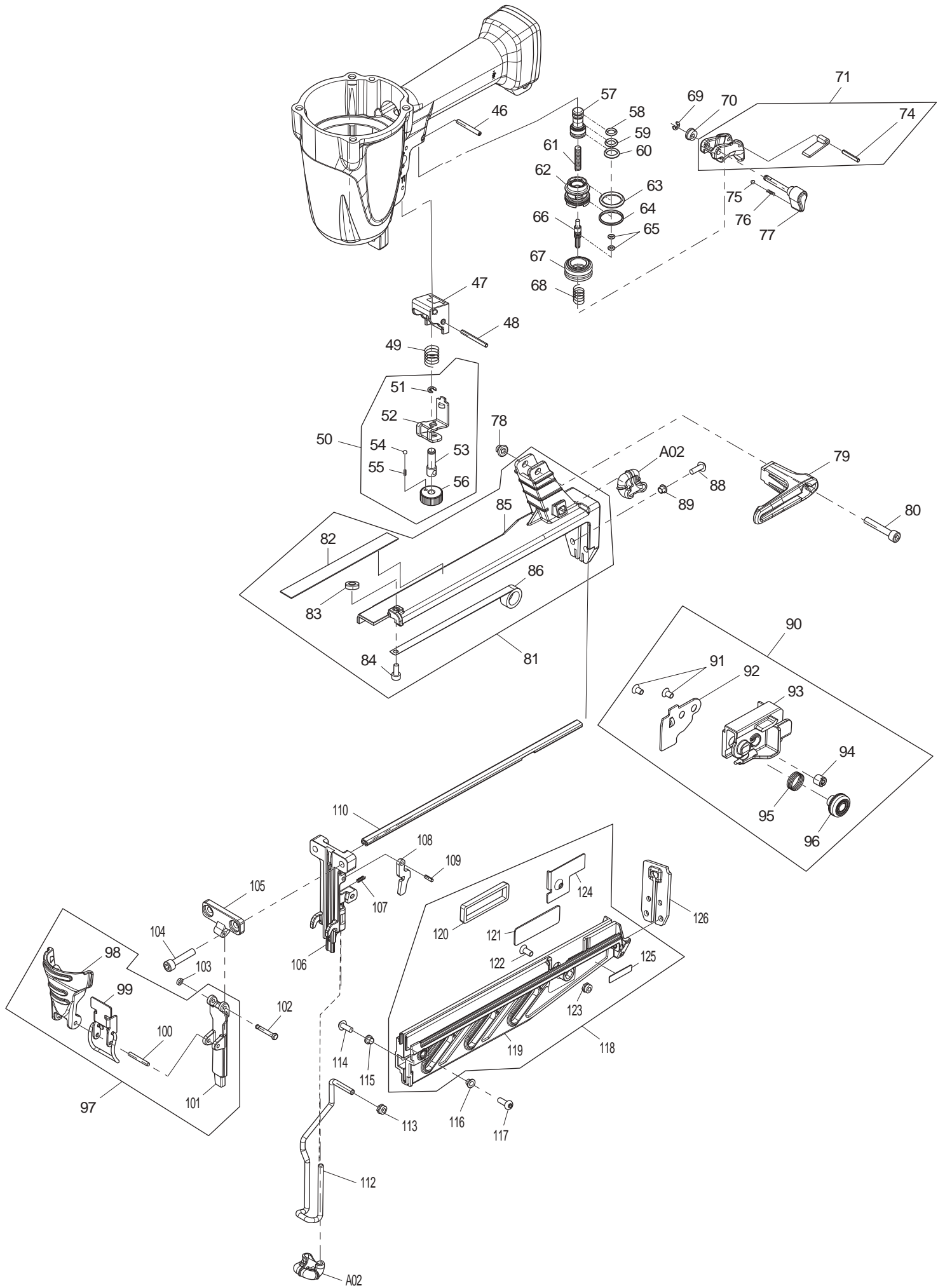




10 - 2016
AF601
2-1/2" Finishing Nailer 16 Ga.





Item No	Type	Sub	Part No	Description	Qty	Unit
001			HY00000679	HEX SOCKET C.S.HEAD SCREW M6X16	1	PC.
002			HY00000632	SLEEVE 6	1	PC.
003			HY00000596	EXHAUST COVER	1	PC.
004			HY00000627	RUBBER RING 10	1	PC.
005			HY00000156	HEX SOCKET HEAD BOLT M5X25	4	PC.
006			HY00000160	FLAT WASHER 5	4	PC.
007			HY00000543	TOP CAP	1	PC.
008			HY00000205	CUSHION V	1	PC.
009			HY00000611	COMPRESSION SPRING 10	1	PC.
010			HY00000404	O RING 18	1	PC.
011			HY00000592	HEAD VALVE	1	PC.
012			HY00000400	O RING 22.5	1	PC.
013			HY00000401	O RING 36.5	1	PC.
014			HY00000403	O RING 43	1	PC.
015			HY00000577	TOP CAP GASKET	1	PC.
016			HY00000552	DRIVER COMPLETE	1	PC.
017			HY00000410	O RING 33.5	1	PC.
018			HY00000553	COLLAR	1	PC.
019			HY00000554	CYLINDER SEPARATER	1	PC.
020			HY00000407	O RING 62	1	PC.
021			HY00000602	CYLINDER	1	PC.
022			HY00000133	O RING 42	2	PC.
023			HY00000545	FRONT CUSHION	1	PC.
024			HY00000562	HOUSING COMPLETE	1	PC.
		INC.		Item No. 25-29		
025			HY00000427	HOUSING BUMPER, R	1	PC.
026			HY00000426	HOUSING BUMPER, L	1	PC.
027			HY00000559	GRIP	1	PC.
028			HY00000663	NAME PLATE F/AF601	1	PC.
029			HY00000105	CAUTION LABEL	1	PC.
030			HY00000023	FRONT SEAL	1	PC.
031			HY00000494	AIR DUSTER COMPLETE	1	PC.
		INC.		Item No. 32-45		
032			HY00000580	SEAL RING	1	PC.
033			HY00000573	DUSTER BUTTON	1	PC.
034	2		HY00000046	PIN 2-10	1	PC.
035			HY00000591	COMPRESSION SPRING 5	1	PC.
036			HY00000399	O RING 8.5	1	PC.
037			HY00000599	VALVE GUIDE	1	PC.
038			HY00000397	O RING 5	1	PC.
039			HY00000513	VALVE STEM	1	PC.
040			HY00000037	O RING 3	2	PC.
041			HY00000499	INLET CAP	1	PC.
042	2		HY00000054	SPRING PIN 2.5-18	1	PC.
043	2		HY00000070	FLAT WASHER 4	4	PC.
044			HY00000079	ONE TOUCH JOINT	1	PC.
045	2		HY00000530	HEX SOCKET HEAD BOLT M4X20	4	PC.
046	2		HY00000024	SPRING PIN 3-26	1	PC.
047			HY00000505	HOLDER	1	PC.
048	2		HY00000165	SPRING PIN 3-28	1	PC.
049			HY00000607	COMPRESSION SPRING 8	1	PC.
050			HY00000440	UPPER YOKE COMPLETE	1	PC.
		INC.		Item No. 51-56		
051	2		HY00000659	STOP RING E-3	1	PC.
052			HY00000443	UPPER YOKE	1	PC.
053			HY00000636	ADJUSTER SHAFT	1	PC.
054			HY00000539	STEEL BALL 3	1	PC.

Item No	Type	Sub	Part No	Description	Qty	Unit
055			HY00000470	COMPRESSION SPRING 2	1	PC.
056			HY00000608	ADJUSTER DIAL	1	PC.
057			HY00000182	PILOT VALVE	1	PC.
058			HY00000131	O RING 6	1	PC.
059			HY00000132	O RING 7	1	PC.
060			HY00000134	O RING 9	1	PC.
061			HY00000146	COMPRESSION SPRING 4	1	PC.
062			HY00000446	TRIGGER VALVE GUIDE	1	PC.
063			HY00000135	O RING 15	1	PC.
064			HY00000137	O RING 17	1	PC.
065			HY00000037	O RING 3	2	PC.
066			HY00000514	TRIGGER VALVE STEM	1	PC.
067			HY00000447	TRIGGER VALVE CASE	1	PC.
068	2		HY00000705	COMPRESSION SPRING 10	1	PC.
069	2		HY00000659	SPRING PIN E-3	1	PC.
070			HY00000520	SLEEVE 4	1	PC.
071			HY00000433	TRIGGER COMPLETE	1	PC.
		INC.		tem No. 74		
074	2		HY00000053	SPRING PIN 2.5-16	1	PC.
075			HY00000539	STEEL BALL 3	1	PC.
076			HY00000590	COMPRESSION SPRING 2	1	PC.
077			HY00000518	LEVER 4	1	PC.
078			HY00000528	HEX LOCK NUT M5	1	PC.
079			HY00000569	HOOK	1	PC.
080			HY00000651	HEX SOCKET HEAD BOLT M5X35	1	PC.
081			HY00000475	MAGAZINE COVER COMPLETE	1	PC.
		INC.		Item No. 82-86		
082			HY00000661	CAUTION LABEL	1	PC.
083			HY00000527	HEX THIN NUT M4	1	PC.
084			HY00000001	HEX SOCKET HEAD BOLT M4X10	1	PC.
085			HY00000480	MAGAZINE COVER	1	PC.
086			HY00000618	SPIRAL SPRING	1	PC.
088			HY00000653	HEX SOCKET BUTTON HEADS CREW M4X12	2	PC.
089			HY00000631	SLEEVE 4	2	PC.
090			HY00000486	PUSHER LEVER COMPLETE	1	PC.
		INC.		Item No. 91-96		
091			HY00000540	HEX SOCKET C.S.HEAD SCREW M4X8	2	PC.
092			HY00000488	PUSHER	1	PC.
093			HY00000491	PUSHER LEVER	1	PC.
094			HY00000635	NUT 4	1	PC.
095			HY00000610	COMPRESSION SPRING 13	1	PC.
096			HY00000575	LOCK BUTTOM	1	PC.
097			HY00000535	LATCH COMPLETE	1	PC.
		INC.		Item No. 98-101		
098			HY00000430	LATCH COVER	1	PC.
099			HY00000624	LATCH	1	PC.
100			HY00000531	SPRING PIN 3-22	1	PC.
101			HY00000536	DOOR	1	PC.
102			HY00000461	PIN 3	1	PC.
103			HY00000043	RUBBER RING 2	1	PC.
104			HY00000156	HEX SOCKET HEAD BOLT M5X25	2	PC.
105			HY00000537	PLATE	1	PC.
106			HY00000603	DRIVER GUIDE	1	PC.
107			HY00000469	COMPRESSION SPRING 3	1	PC.
108			HY00000570	STOPPER	1	PC.
109			HY00000657	SPRING PIN 3-8	1	PC.
110			HY00000621	MAGAZINE RAIL	1	PC.

Item No	Type	Sub	Part No	Description	Qty	Unit
112			HY00000441	CONTACT ARM	1	PC.
113			HY00000159	HEX LOCK NUT M4	1	PC.
114			HY00000654	SHOULDER SCREW M4	1	PC.
115			HY00000631	SLEEVE 4	1	PC.
116			HY00000631	SLEEVE 4	1	PC.
117			HY00000654	SHOULDER SCREW M4	1	PC.
		INC.		Item No. 119-125		
118			HY00000476	MAGAZINE COMPLETE	1	PC.
119			HY00000479	MAGAZINE	1	PC.
120			HY00000574	CASE	1	PC.
121			HY00000576	DOUBLE SIDED TAPE	1	PC.
122			HY00000656	HEX SOCKET C.S.HEAD SCREW M4X10	1	PC.
123			HY00000159	HEX LOCK NUT M4	1	PC.
124			HY00000500	NAIL STOPPER	1	PC.
125			HY00000584	CAUTION LABEL	1	PC.
126			HY00000645	SUB MAGAZINE CAP	1	PC.
C01			HY00000693	COLOR SLEEVE	1	PC.
C02			HY00000695	MASTER CARTON	1	PC.

ACCESSORIES

- See Catalogue or visit www.makita.ca for more accessories -

A01			HY00000691	PLASTIC CARRYING CASE (BLOW)	1	PC.
A02			HY00000560	NOSE ADAPTER	2	PC.
A04			-----	SAFETY GOGGLES	1	PC.
A05			-----	OIL SUPPLY	1	PC.
A06			-----	PNEUMATIC AIR HOSE		
A07			-----	PNEUMATIC AIR FITTINGS		
A08			-----	PNEUMATIC HOSE FITTINGS		