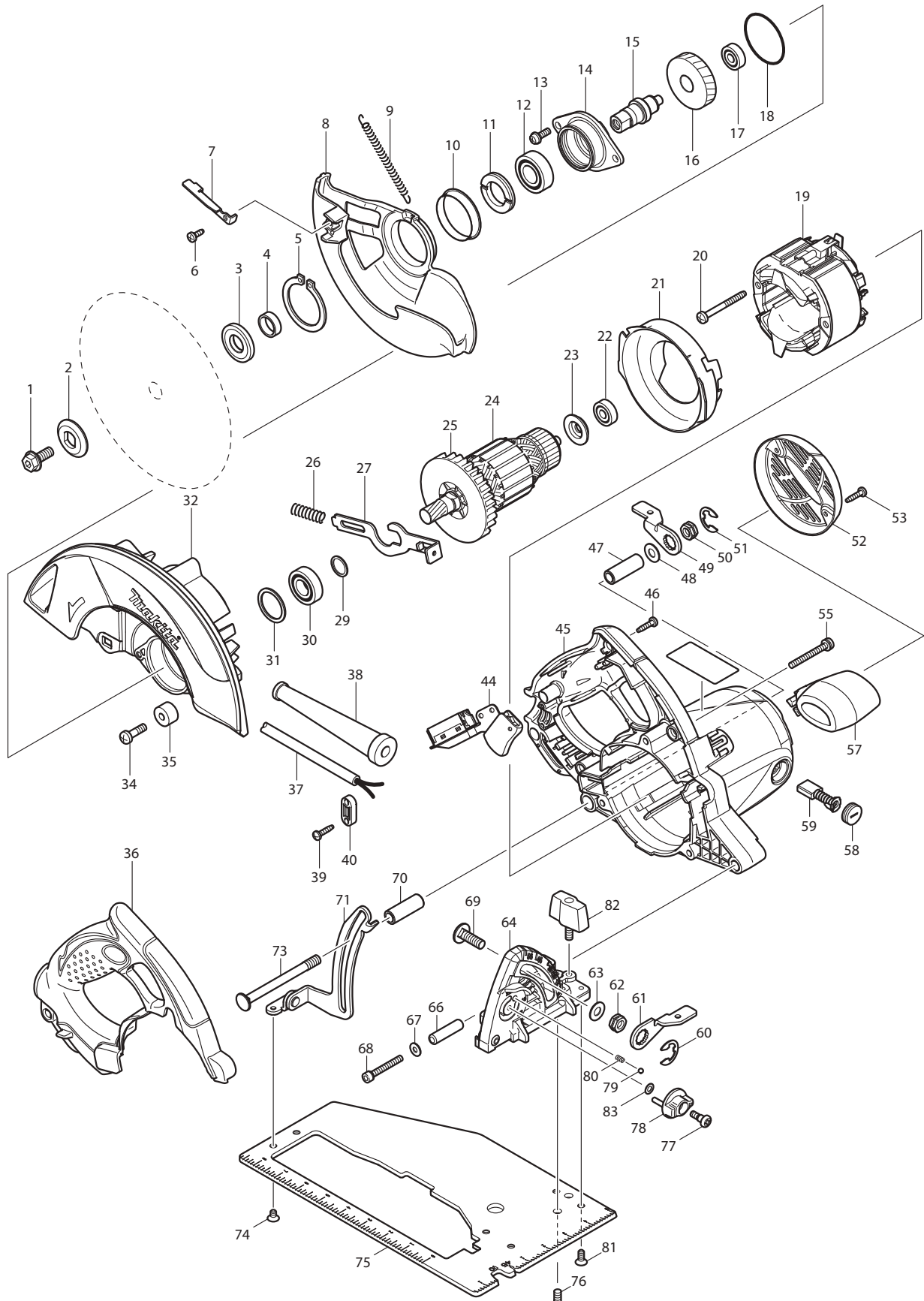




10 - 2011

5007N

7-1/4" CIRCULAR SAW (W/O Brake, W/O LED Job Light)



Item No.	Type	Sub	Part No.	Parts_Description	Qty	Unit
001			266283-4	HEX. SOCKET HEX. BOLT M8X20	1	PC.
002			224409-4	OUTER FLANGE 35	1	PC.
003			224411-7	INNER FLANGE 35	1	PC.
004			257279-6	RING 17	1	PC.
005			961201-4	RETAINING RING S-42	1	PC.
006			266398-7	TAPPING SCREW BIND CT 4X12	1	PC.
007			345931-9	LEVER PLATE	1	PC.
008		3	319780-0	* SAFETY COVER	1	PC.
009			231839-2	TENSION SPRING 4	1	PC.
010		1	345422-0	SPACER	1	PC.
		2	346880-3	SPACER	1	PC.
011			285848-3	BEARING RETAINER 23-36	1	PC.
012		2	210301-0	BALL BEARING 6003DDW	1	PC.
013			911223-4	PAN HEAD SCREW M5X16	2	PC.
014			318056-2	BEARING BOX	1	PC.
015			324690-8	SPINDLE	1	PC.
016			226682-2	HELICAL GEAR 47	1	PC.
017		2	210029-0	BALL BEARING 608ZZ	1	PC.
018			213623-7	O RING 46	1	PC.
019			596286-7	FIELD ASS'Y 115V	1	PC.
		INC.	654020-2	RING TERMINAL	2	PC.
		INC.	654502-4	CONNECTOR P-2	2	PC.
020			266397-9	TAPPING SCREW BIND 5X50	2	PC.
021			419548-5	BAFFLE PLATE	1	PC.
022		3	210005-4	BALL BEARING 608DDW	1	PC.
023			681625-5	INSULATION WASHER	1	PC.
024		2	510133-8	ARMATURE ASS'Y 115V	1	PC.
		INC.		Item No. 22,23,25,29,30		
025			240003-4	FAN 80	1	PC.
026			231297-2	COMPRESSION SPRING 9	1	PC.
027			345717-1	SHAFT LOCK	1	PC.
029			267280-3	FLAT WASHER 15	1	PC.
030			211236-8	BALL BEARING 6002DDW	1	PC.
031			261132-0	URETHANE WASHER 26	1	PC.
032		1	158673-4	BLADE CASE COMPLETE	1	PC.
		INC.	263002-9	RUBBER PIN 4	2	PC.
		INC.	816911-7	SCALE LABEL	1	PC.
		2	140G58-0	BLADE CASE COMPLETE	1	PC.
		INC.	263002-9	RUBBER PIN 4	2	PC.
		INC.	816911-7	SCALE LABEL	1	PC.
034			251247-1	+ PAN HEAD SCREW M6X20	1	PC.
035		2	262502-6	RUBBER SLEEVE 6	1	PC.
036			450684-8	HANDLE COVER	1	PC.
037			664463-0	CORD W/PLUG 2P-14-2.5M, SJ	1	PC.
038			682564-2	CORD GUARD	1	PC.
039			266326-2	TAPPING SCREW 4X18	2	PC.
040		2	687124-5	STRAIN RELIEF	1	PC.
044			651189-3	SWITCH TG933TN-2	1	PC.
045			158704-9	MOTOR HOUSING COMPLETE	1	PC.
		INC.	643653-8	BRUSH HOLDER 6.5-13.5	2	PC.
		INC.	810278-5	CAUTION LABEL	1	PC.
046			266326-2	TAPPING SCREW 4X18	5	PC.
047			331719-3	PIPE 9	1	PC.
048			941201-0	FLAT WASHER 8	1	PC.
049			345930-1	LEVER PLATE	1	PC.
050			252199-9	HEX. NUT M8-13	1	PC.
051			257953-6	BOW STOP RING E-12	1	PC.
052			345929-6	REAR COVER	1	PC.
053			266326-2	TAPPING SCREW 4X18	2	PC.
055			911268-2	PAN HEAD SCREW M5X45	3	PC.

Item No.	Type	Sub	Part No.	Parts_Description	Qty	Unit
056			864987-8	5007N NAME PLATE	1	PC.
057			450705-6	FRONT GRIP	1	PC.
058			643650-4	BRUSH HOLDER CAP 6.5-13.5	2	PC.
059	2		194986-9	CARBON BRUSH CB-154 2PC/SET W/ ORIGIN	1	SET
060			257953-6	BOW STOP RING E-12	1	PC.
061	2		346003-3	* LEVER PLATE	1	PC.
062	2		264006-4	* HEX. NUT M8-13	1	PC.
063			941201-0	FLAT WASHER 8	1	PC.
064	3		163542-6	* ANGULAR PLATE COMPLETE	1	PC.
066			257759-2	SLEEVE 6	1	PC.
067			941101-4	FLAT WASHER 5	1	PC.
068	2		911267-4	HEX. SOCKET HEAD BOLT M5X40	1	PC.
069	3		266227-4	* CAP SQUARE NECK BOLT M8X28	1	PC.
070			331719-3	PIPE 9	1	PC.
071			163484-4	DEPTH GUIDE COMPLETE	1	PC.
073			266237-1	CAP SQUARE NECK BOLT M8X90	1	PC.
074			265086-3	+ COUNTERSUNK HEAD SCREW	2	PC.
075	2		346747-5	BASE	1	PC.
076			266085-8	H.S.SET SCREW(FLAT POINT)M6X10	1	PC.
077			251370-2	+ PAN HEAD SCREW N5	1	PC.
078			450704-8	DIAL 27	1	PC.
079			216008-6	STEEL BALL 4	1	PC.
080			233314-4	COMPRESSION SPRING 4	1	PC.
081			912212-2	COUNTERSUNK HEAD SCREW M5X12	4	PC.
082			251858-2	SCREW M6X15	1	PC.
083			253811-4	FLAT WASHER 5	1	PC.
084			252103-8	HEX. LOCK NUT M5-8 (Added)	1	PC.
C01			875468-7	CARTON	1	PC.
C02			837949-9	INNER FITMENT F/875468-7	1	PC.
C03			837950-4	INNER FITMENT F/875468-7	1	PC.
D01			652047-6	+BIND SCREW M3.5X4.0 (F/SWITCH)	4	PC.
D02			654001-6	TERMINAL R1.25-3.5 (F/SWITCH-FIELD)	2	PC.
D03			654077-3	INSULATED TERMINAL FK2-M3D-5.5	2	PC.

ACCESSORIES

- See catalogue or visit www.makita.ca for more optional accessories -

A01			164095-8	GUIDE RULE	1	PC.
A02	2		D-51138	7-1/4" CT SAW BLADE 24T 5/8"	1	PC.
	Opt.		D-35352-10	7-1/4" C.T. SAW BLADE 24T 10/PK	1	PC.
			----	7-1/4" C.T. SAW BLADE	1	PC.
A03			783204-6	HEX. WRENCH 6	1	PC.
A04			824772-1	PLASTIC CARRYING CASE	1	PC.
		INC.	163455-1	LATCH	2	PC.
		INC.	419360-3	HANDLE	1	PC.
A05			199712-1	DUST NOZZLE SET	1	PC.
		INC.	346502-5	LEVER PLATE	1	PC.
		INC.	911223-4	PH SCREW M5X16 W/WR	1	PC.

SERVICE CHANGES

1. Changes on Lever Plate

(T/I# 90190)

(T/I# 91344)

Item No.	Description	Type 1	Type 2	Type 3
061	Lever Plate	345930-1		346003-3
062	Hex Nut M8-13	252199-9		264006-4
069	Bolt	266396-1	265965-5	266227-4

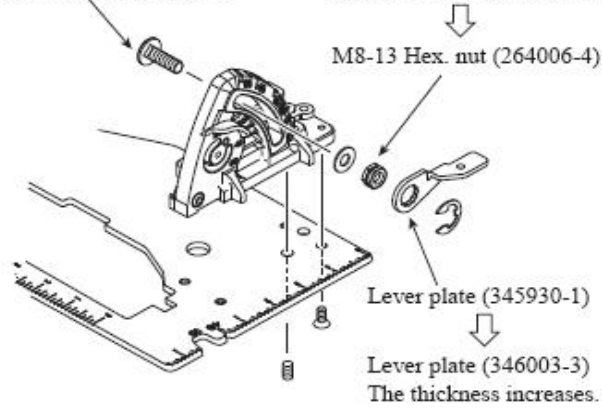
Above parts are completely interchangeable as a set.

M8x24 Flat headsquare neckbolt (266396-1)

M8x24 Cap square neck bolt (265965-5)

M8-13 Hex. nut (252199-9)

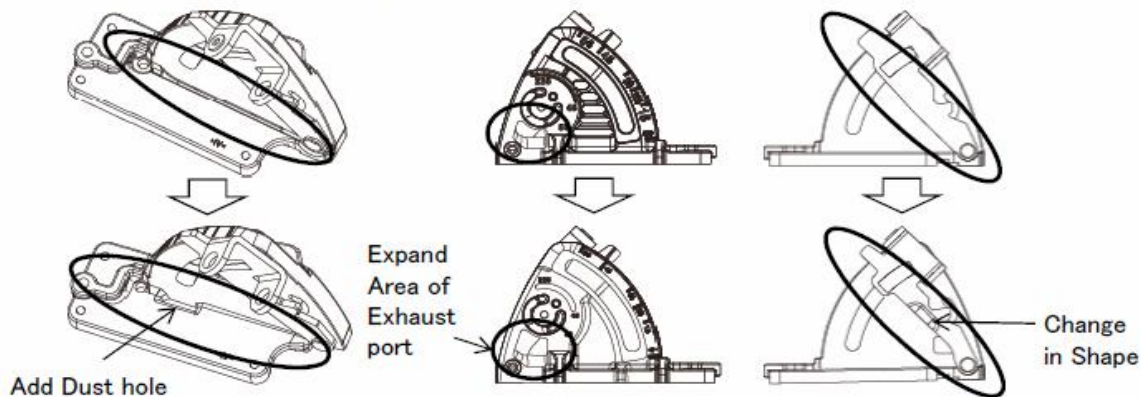
M8-13 Hex. nut (264006-4)



2. Changes on Angular Plate Complete, Safety Cover and Base (T/I# A0672)

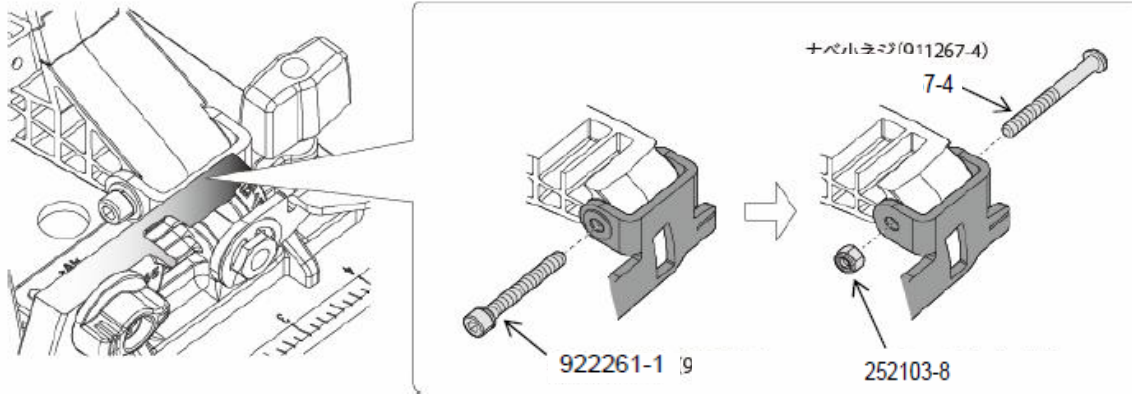
Item No.	Description	Type 1	Type 2	
064	Angular Plate Complete	163527-2	163542-6	* No.1
084	Hex. Lock Nut M5-8	-	252103-8	* No.2
068	Hex. Socket Head Bolt M5X40 > Pan Head Screw M5X45	922261-1	911267-4	* No.2
008	Safety Cover	318057-0	318963-9	* No.3
075	Base	345924-6	346747-5	* No.4

No.1 Change on Angular Plate Complete: 163527-2 → 163542-6

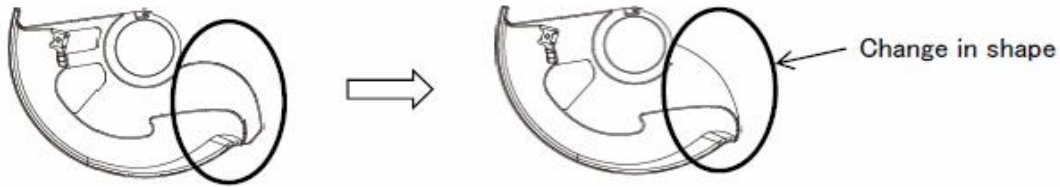


No.2

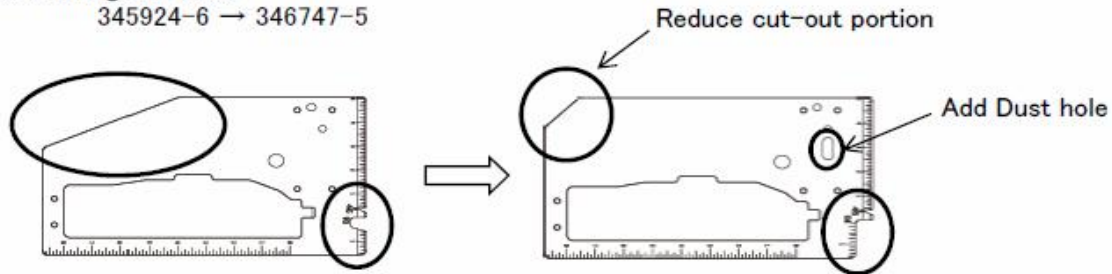
- Change Hex. Socket Head Bolt M5X40 (922261-1) →Pan Head Screw M5X45 (911267-4)
- Change direction in installation of screw
- Add Hex Lock Nut M5-8 (252103-8)



No.3 Change on Safty Cover: 318057-0 → 318963-9



No.4 Change on Base
345924-6 → 346747-5



3. Changes on Cap square neck bolt for Angular Plate (T/l# 91344)

Item No.	Description	Type 1	Type 2
69	Cap square neck Bolt M8x24 >Cap square neck Bolt M8x28	265965-5	266227-4

▶ Type 1	▶ Type 2
<p>M8x24 Cap square neck bolt (265965-5)</p>	<p>M8x28 Cap square neck bolt (266227-4)</p>