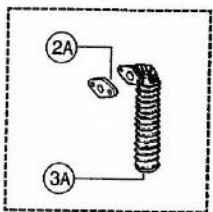
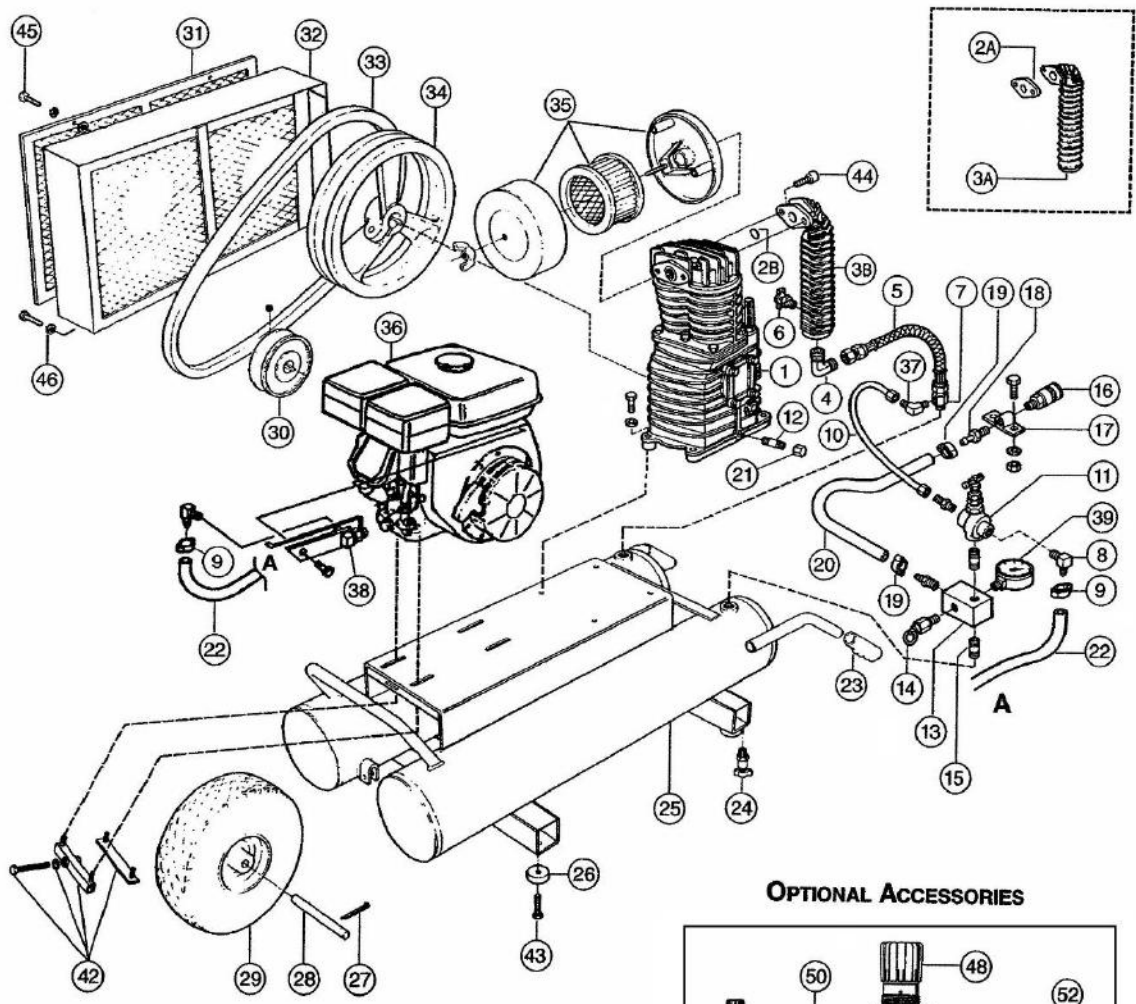
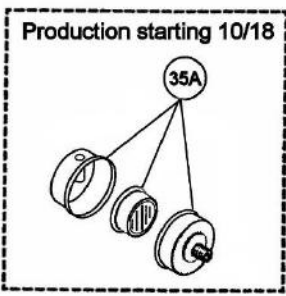
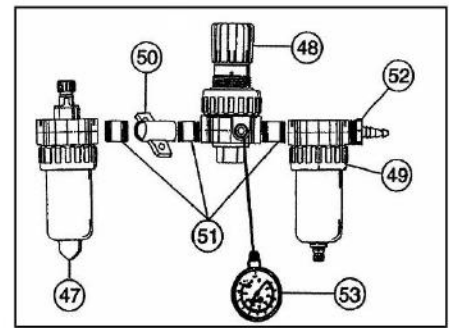
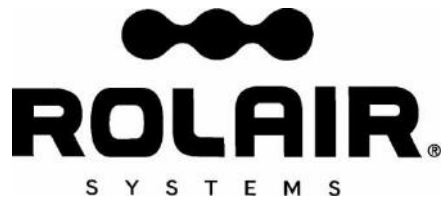



ROLAIR®
 SCHEMATIC FOR
 4090HK17



OPTIONAL ACCESSORIES





PARTS LIST FOR MODEL 4090HK17

| Schem # | Description | Part # | Qty. | Schem # | Description | Part # | Qty. |
|---------|----------------------------------|------------------|-------|---------|---------------------------------------|------------------|------|
| 1 | Twin Cylinder Pump with Flywheel | PMP12K17CH | 1 | 26 | Rubber Foot | 219 | 4 |
| | Twin Cylinder Pump less Flywheel | PMP12K17CHLF | 1 | 27 | Cotter Pin | 181A | 2 |
| | | | | 28 | Axle | 181 | 1 |
| | | | | 29 | Foam-Filled Flat-Free Tire | WLS50 | 1 |
| 2A | Gasket | 30501490CH | 1 | 30 | Pulley | PUAK44X0750 | 1 |
| 2B | O-Ring | 30502510CH | 1 | 31 | Belt-Guard Cover | NLA | 1 |
| 3A | Aftercooler | 3290146ACH | 1 | 32 | Belt-Guard (Base & Cover) | BG9140ASY | 1 |
| 3B | Aftercooler - O-Ring Style | Use 3290146ACH | 1 | 33 | Belt | BT4L510/A49 | 1 |
| 4 | Brass Elbow | 145D | 1 | 34 | Flywheel | 31007280CH | 1 |
| 5 | Braided Discharge Tube | FDT9.5 | 1 | 35 | Intake Filter Assembly (before 10/18) | FS14050 | 1 |
| 6 | Drain Valve | 132 | 1 | | Filter Element for FS14050 | 431 | 1 |
| 7 | Check Valve | CV4X4TA-A175 | 1 | 35A | Intake Filter Assembly (after 10/18) | FS10052 | 1 |
| | Safety Valve (1/8")** | SRV0125A175 | 1 | | Filter Element for FS10052 | 433 | 1 |
| 8 | Brass Elbow | BREL0250X0125H16 | 2 | | | | |
| 9 | Hose Clamp | 177 | 2 | | | | |
| 10 | 1/4" Nylon Tube – 14.4" | 178D | 1.2' | 36 | Honda Engine | ENG05HO1 | 1 |
| | Brass Nut | BRNT0250 | 2 | 37 | Brass Elbow | BREL0250X012539 | 1 |
| | Brass Sleeve | BRSL0250 | 2 | 38 | Throttle Control Kit | 192EGX160K1QX | 1 |
| | Brass Ring | BRRG0250 | 2 | 39 | Gauge | GA0250200GC | 1 |
| 11 | Pilot Unloader Valve | 131B | 1 | 42 | Belt Tightener/Mounting Kit | SBT5HP-ANGLE* | 1 |
| | Felt Muffler | 131BM | 1 | 43 | Screw | MIS10008 | 4 |
| | Retainer Ring | 131BR | 1 | 44 | Bolt | 37302530CH | 2 |
| 12 | Nipple | BLNP0250X1500 | 1 | 45 | Spin-lock Bolt | MIS10094 | 5 |
| 13 | Aluminum Block Manifold | 154 | 1 | | Self-tapping Screw | MIS10092 | 5 |
| 14 | Safety Relief Valve | SRV0250A165 | 1 | 46 | Bolt | MIS10022 | 2 |
| 15 | Nipple | BLNP0500X1500 | 1 | | Lock Washer | MIS10099 | 2 |
| 16 | Quick Disconnect | 309A | 1 | | Washer | MIS10108 | 2 |
| 17 | Accessory Bracket | 210 | 1 | | (Accessories) | | |
| 18 | Brass Coupler | BRCP0375X0375H12 | 2 | 47 | Lubricator | LUB0375 | 1 |
| 19 | Hose Clamp | 177A | 2 | 48 | Regulator | REG0375 | 1 |
| 20 | 3/8" Rubber Hose – 16" | 178A | 1.34' | 49 | Filter (Water Trap) | FILO375 | 1 |
| 21 | Cap | BLCA0250 | 1 | 50 | Accessory Bracket | 210 | 1 |
| 22 | 1/4" Rubber Hose – 36" | 178 | 3' | 51 | Nipple | BLNP0375X1500 | 3 |
| 23 | Handle Grip | 328 | 2 | 52 | Brass Coupler | BRCP0375X0375H12 | 1 |
| 24 | Drain Valve | 132BV | 2 | 53 | Gauge | GA0250200GC | 1 |
| 25 | Twin Tank Assembly | TNKASY4090K17 | 1 | | | | |

As an added safety measure, belt driven models built after July 1, 2015 include additional safety valve on check valve.

*For units built prior to February 2005, order SBT5HP-SQUARE.

**Safety valve not shown but may be ordered separately.

