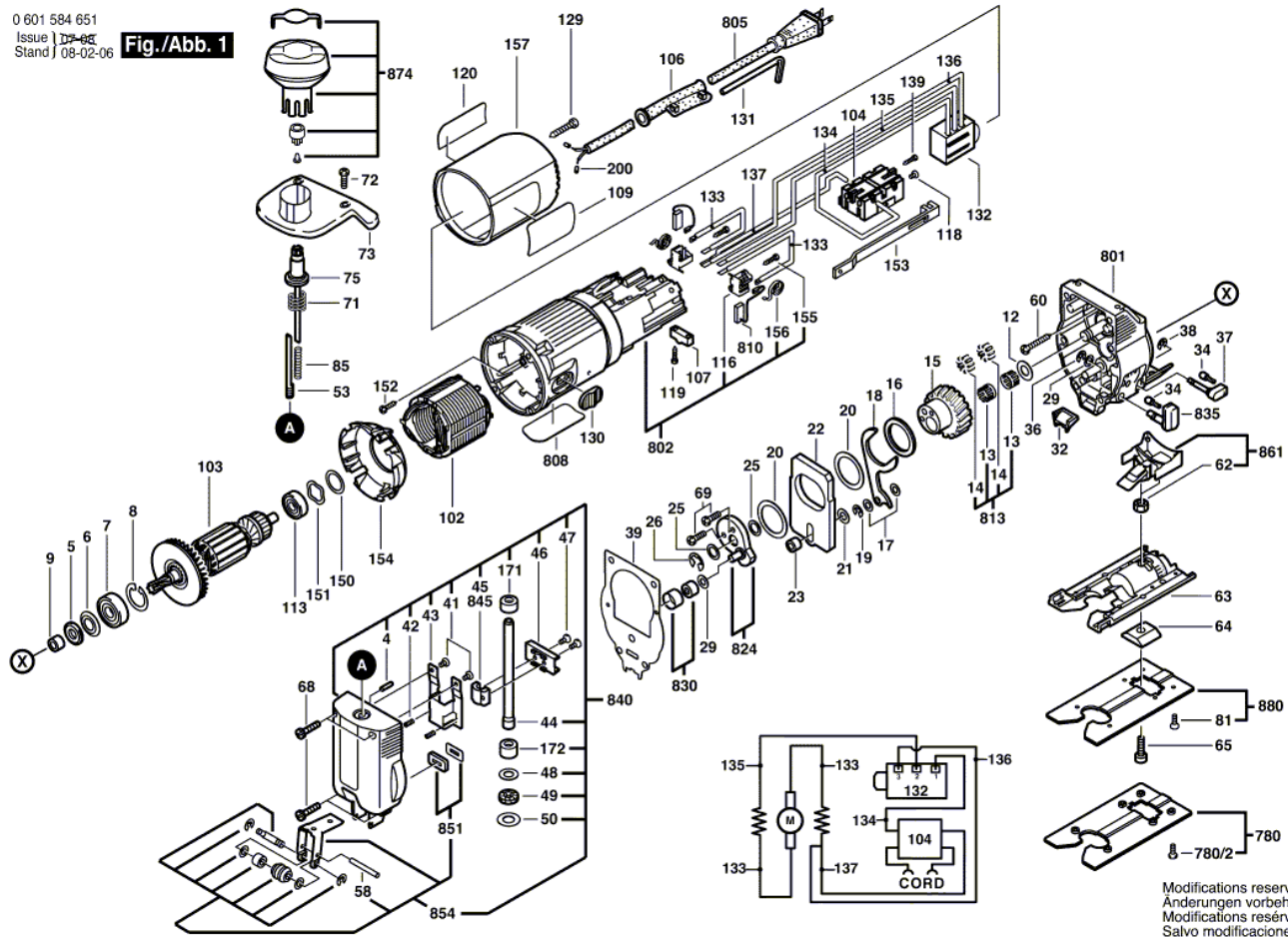




0 601 584 651
Issue | 07-06
Stand | 08-02-06

Fig./Abb. 1





Pos.	Part Number	Description	Pos.	Part Number	Description
4	1 903 201 042	Needle Roller	81	2 910 861 118	Countersunk-Head Screw
5	2 600 108 077	Felt Washer	85	2 604 610 040	Compression Spring
6	2 600 500 002	Cupped Washer	102	2 610 909 245	Field
7	2 600 905 021	groove ball bearing	103	2 610 909 242	Armature With Fan
8	2 916 660 008	Spring retaining ring	104	2 607 200 674	Switch
9	2 600 400 008	Receptacle	106	2 600 703 028	Grommet
12	2 600 101 616	Shim	107	2 601 035 001	Cable Clip
13	2 600 913 036	Needle-Roller Cage	109	2 610 994 117	Sticker
14	2 603 201 037	Needle Roller	113	1 900 905 018	Ball Bearing
15	1 619 P02 581	Eccentric Cog Wheel	116	1 600 A00 3G4	Brush Holder
16	2 600 102 653	Shim	118	2 603 410 001	Socket head cap screw
17	2 600 100 515	Shim	119	2 610 315 386	Screw
17	2 600 100 516	Shim	120	2 610 906 855	Warning Label
18	2 601 923 004	Fork Lever	129	2 910 601 321	Tapping Screw
19	2 916 080 907	Locking Washer	130	2 602 026 015	Switch Handle
20	2 600 102 652	Shim	131	2 610 364 015	Hexagon Socket Screw Key
21	2 600 100 625	Shim	132	2 607 230 011	Switch
21	2 600 100 626	Shim	133	2 604 448 034	Connecting Cable
21	2 600 100 627	Shim	134	2 604 448 044	Connecting Cable
21	2 600 100 628	Shim	135	2 604 448 045	Cable
22	2 601 098 003	Counterweight	136	2 604 448 046	Connecting Cable
23	2 600 309 009	Spacer Sleeve	137	2 604 448 040	Connecting Cable
25	2 600 100 575	Shim	139	2 910 611 006	Tapping Screw
25	2 600 100 576	Shim	150	2 600 101 023	Shim
25	2 600 100 577	Shim	151	2 600 150 004	Shim
26	2 916 080 910	Locking Washer	152	2 603 435 015	Cross Recessed-Head Screw
29	2 600 100 568	Shim	153	2 602 319 005	Adjusting Slide
29	2 600 100 569	Shim	154	2 601 328 045	Cover Disc
29	2 600 100 607	Shim	155	2 610 914 920	Tapping Screw
32	2 602 305 042	Air Eliminator	156	1 604 652 013	Spiral Spring
34	2 600 590 006	Ratchet Cap	157	2 605 500 074	Housing Cover
36	2 916 080 908	Locking Washer	171	2 600 301 046	Sintered-Metal Bushing
37	2 602 026 037	Rotary Knob	172	2 600 301 045	Bushing
38	2 600 116 006	Spring retaining ring	200	1 900 452 012	End Splice
39	2 601 015 050	Seal	780	2 610 996 230	Base
41	2 603 410 048	Thread-forming tap. Screw	780/2	2 910 001 116	Socket head cap screw
42	2 604 613 000	Compression Spring	801	2 605 808 917	Gear Housing
43	2 601 322 010	Guide Bracket	802	2 605 108 904	Motor Housing
44	1 619 P12 765	Lifting Rod	805	3 604 460 555	Power supply cord
45	2 602 329 011	Clamping Saddle	808	2 610 994 118	Manufacturer's nameplate
46	1 619 P12 767	Sliding Piece	810	2 604 320 910	Carbon-Brush Set
47	2 603 421 040	Countersunk-Head Screw	813	2 607 001 130	Needle-Roller Cage
48	2 600 112 031	Supporting Disc	824	2 601 072 901	Eccentric Disc
49	2 600 290 017	Seal Ring	830	2 600 917 900	Needle bearing
50	2 600 101 612	Shim	835	2 602 026 036	Rotary Knob
53	2 603 490 011	Clamp Screw	840	2 605 808 921	Gear Cover
58	2 917 530 101	Straight Pin	851	2 601 015 901	Sealing Plate
60	2 610 323 133	Screw	854	2 601 321 902	Roller Lever
62	2 915 011 007	Hex Nut	861	2 605 500 900	Fan Cover
63	2 608 000 073	Base Plate	874	2 602 026 900	Handle
64	2 601 030 019	Profile Beading	880	2 607 001 085	Work Board
65	2 910 141 197	Hex Socket Head Cap Screw			
68	2 603 410 049	Thread-forming tap. Screw			
69	2 914 551 176	Microencapsulated Screw			
71	2 604 617 003	Compression Spring			
72	2 603 410 054	Thread-forming tap. Screw			
73	2 605 702 016	Flanged Fitting			
75	2 606 491 015	Coupling Half			