



ROLAIR®

SCHEMATIC FOR MODELS

1040K18

2040K18

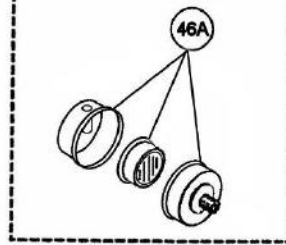
1040HK18

2040HK18

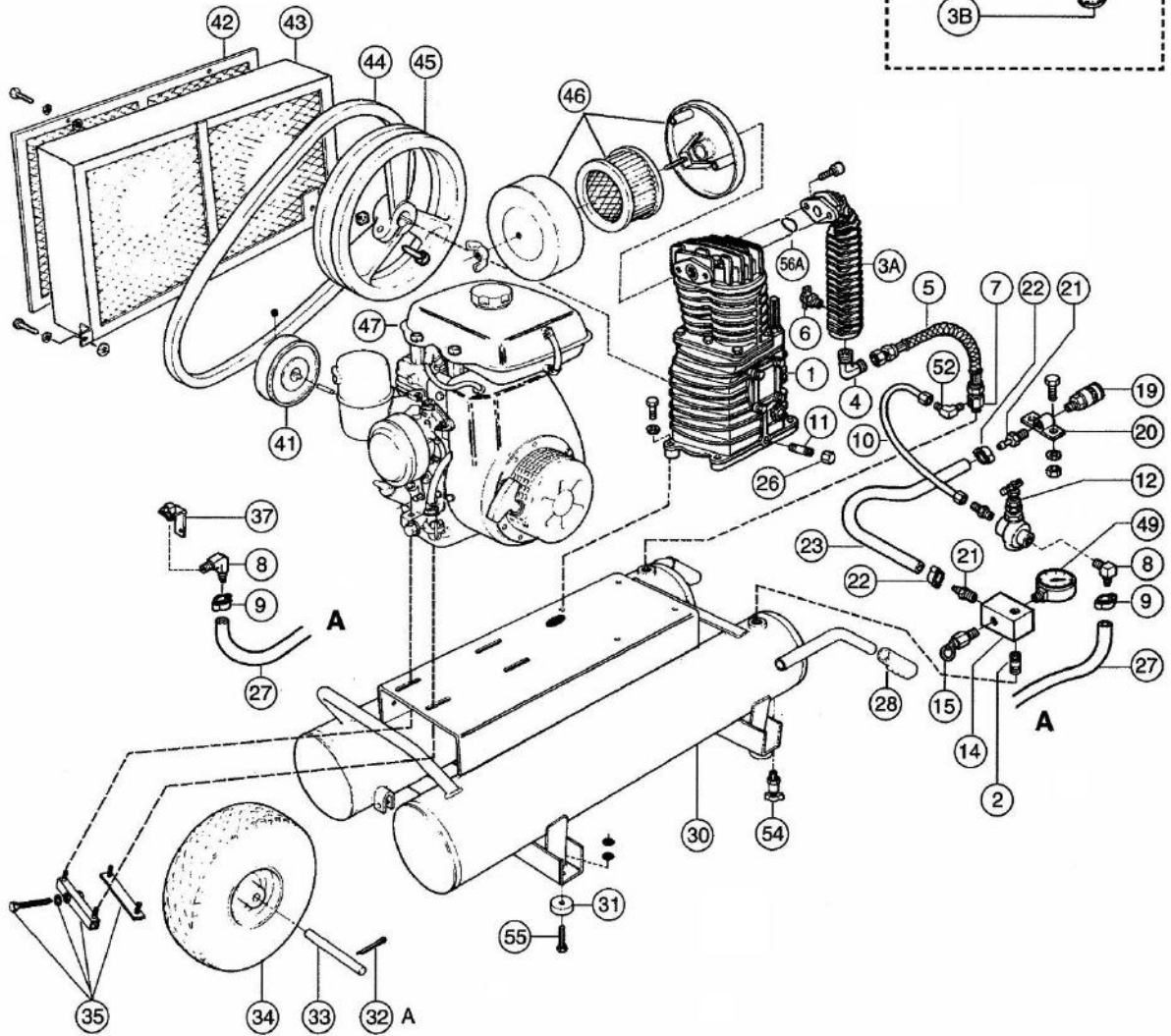
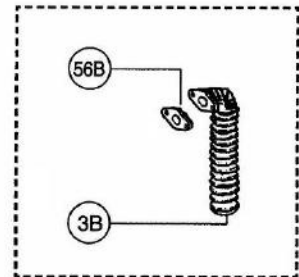
1040RK18

2040RK18

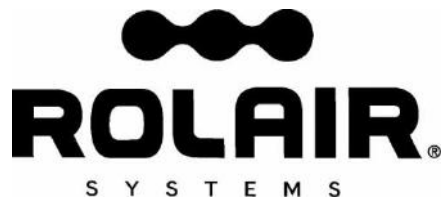
Production starting 10/18



Production Prior to 2/00



2040K18 Model uses (2) WLS50



PARTS LIST FOR MODELS

1040K18 2040K18
1040HK18 2040HK18
1040RK18 2040RK18

Schem #	Description	Part #	Qty.	Schem #	Description	Part #	Qty		
1	Twin-Cylinder Pump with Flywheel	PMP12K18CH	1	34	Foam-Filled Flat-Free Tire	WLS50	1		
	Twin-Cylinder Pump,less Flywheel	PMP12K18CHLF	1	35	Belt Tightener/Mounting Kit - 1040K18 & 2040K18 1040HK18, 2040HK18, & 1040RK18, 2040RK18	SBT8HPKO-ANGLE*	1		
2	Nipple	BLNP0500X1500	1			SBT8HPHO&KAK17-ANGLE*	1		
3A	Aftercooler	3290146ACH	1	37	Throttle Control Kit	Specify Engine	1		
3B	Aftercooler	Use 3290146ACH	1	41	Pulley	PUAK49X1000	1		
4	Brass Elbow	145D	1	42	Belt-Guard Cover	NLA	1		
5	Discharge Tube	FDT9	1	43	Belt-Guard (Base & Cover)	BG9140ASY	1		
6	Drain Valve	132	1	44	Belt	BT4L510/A49	1		
7	Check Valve	CV4X4TA-A175	1	45	Flywheel	31007280CH	1		
	Safety Valve (1/8")**	SRV0125A175	1	46	Intake Filter Assembly (before 10/18) Filter Element for FS14050	FS14050	1		
8	Brass Elbow	BREL0250X0125H16	2			431	1		
9	Hose Clamp	177	2	46A	Intake Filter Assembly (after 10/18) Filter Element for FS10052	FS10052	1		
10	1/4" Nylon Tubing – 14.4"	178D	1.2'			433			
11	Nipple	BLNP0250X1500	1	47	Kohler Engine – Models 1040K18 & 2040K18 Honda Engine –& Models 1040HK18 2040HK18	N.L.A.			
12	Pilot Unloader Valve	131B	1			ENG09H01	1		
14	Aluminum Block Manifold	154	1	Optional Engine Drain Extension for Above	HDE8	1			
15	Safety Relief Valve	SRV0250A165	1		Robin Engine – Models 1040RK18 & 2040RK18	N.L.A.			
19	Quick Disconnect	309A	1	49	Gauge	GA0250200GC	1		
20	Accessory Bracket	210	1	52	Brass Elbow	BREL0250X012539	1		
21	Brass Coupler	BRCP0375X0375- H12	2	54	Drain Valve	132BV	2		
22	Hose Clamp	177A	2	55	Screw	MIS10008	4		
23	3/8" Rubber Hose – 16"	178A	1.34'			56A	O-Ring	30502510CH	1
26	Cap	BLCA0250	1			56B	Gasket	30501490CH	1
27	1/4" Rubber Hose – 36"	178	3'						
28	Handle Grip	328	2						
30	Twin-Tank Assembly	Specify Model	1						
31	Rubber Foot	219	4						
32	Cotter Pin - 2040 Models	181B	2						
32A	Cotter Pin - 1040 Models	181A	2						
33	Axle for 1040K18, 1040HK18, & 1040KK18 Models	181	1						

As an added safety measure, belt driven models built after July 1, 2015 include additional safety valve on check valve.

*For units built prior to February 2005, order SBT8HP-SQUARE or SBT8HPHO&KA17-SQUARE respectively.

**Safety valve not shown but may be ordered separately.

